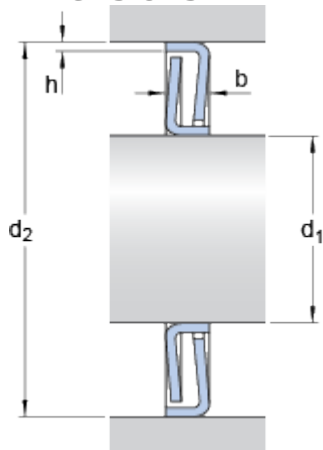


Z 305

Dimensions



d_1	25	mm
d_2	62	mm
b	6	mm
h	1.5	mm

Mass

Mass	65	g
------	----	---

Appropriate products

Appropriate spacing washer on the shaft	ZW 25x32
Appropriate spacing washer in the housing	ZW 50x62