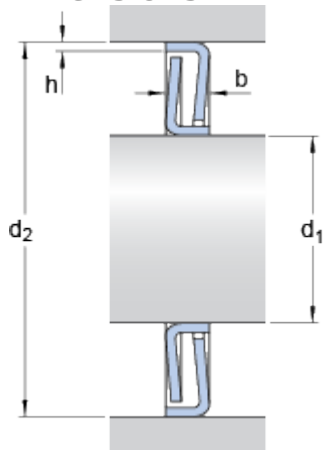


Z 205

Dimensions



d_1	25	mm
d_2	52	mm
b	5	mm
h	1.25	mm

Mass

Mass	35	g
------	----	---

Appropriate products

- Appropriate spacing washer on the shaft
- Appropriate spacing washer in the housing

[ZW 25x32](#)

[ZW 42x52](#)