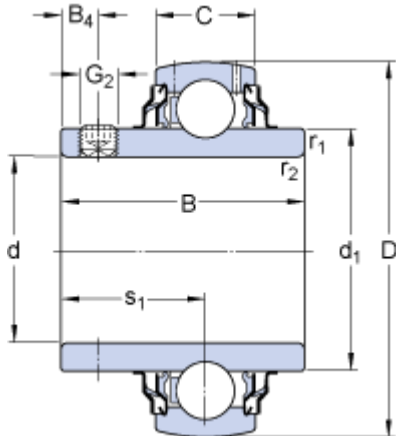


# YAR 204-2RF

## Dimensions



$d$		20	mm
$D$		47	mm
$B$		31	mm
$C$		14	mm
$d_1$	$\approx$	28.2	mm
$B_4$		4.5	mm
$r_{1,2}$	min.	0.6	mm
$s_1$		18.3	mm

## Calculation data

Basic dynamic load rating	C	12.7	kN
Basic static load rating	C	6.55	kN
Fatigue load limit	$P_u$	0.28	kN
Limiting speed <sup>1)</sup>		5000	r/min
Calculation factor	$f$	13	

## Mass

Mass complete bearing		0.15	kg
-----------------------	--	------	----

## Mounting information

Thread grub screw	$G_2$	M6x0.75	
Hexagonal key size for grub screw	N	3	mm
Recommended tightening torque for grub screw		4	N·m

## Associated products

Rubber seating ring		<a href="#">RIS 204</a>	
---------------------	--	-------------------------	--