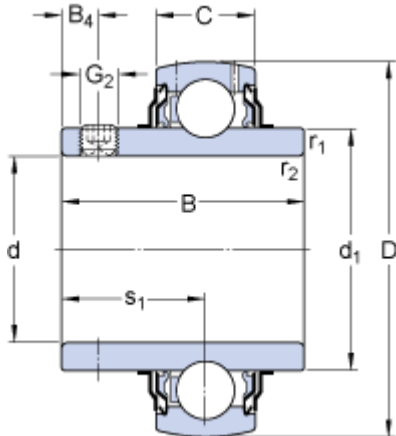


YAR 204-2F

Dimensions



| | | |
|------------------|----------|----|
| d | 20 | mm |
| D | 47 | mm |
| B | 31 | mm |
| C | 14 | mm |
| d ₁ | ≈ 28.2 | mm |
| B ₄ | 4.5 | mm |
| r _{1,2} | min. 0.6 | mm |
| s ₁ | 18.3 | mm |

Calculation data

| | | | |
|------------------------------|----------------|------|-------|
| Basic dynamic load rating | C | 12.7 | kN |
| Basic static load rating | C | 6.55 | kN |
| Fatigue load limit | P _u | 0.28 | kN |
| Limiting speed ¹⁾ | | 8500 | r/min |
| Calculation factor | f | 13 | |

Mass

| | | | |
|-----------------------|--|------|----|
| Mass complete bearing | | 0.15 | kg |
|-----------------------|--|------|----|

Mounting information

| | | |
|--|----------------|---------|
| Thread grub screw | G ₂ | M6x0.75 |
| Hexagonal key size for grub screw | N | 3 mm |
| Recommended tightening torque for grub screw | | 4 N·m |

Associated products

| | |
|---------------------|-------------------------|
| Rubber seating ring | RIS 204 |
|---------------------|-------------------------|