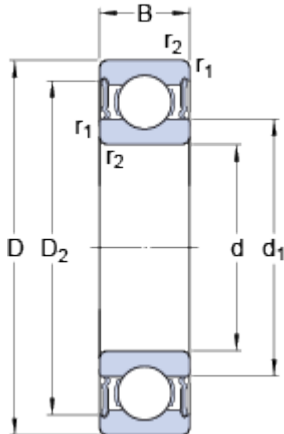


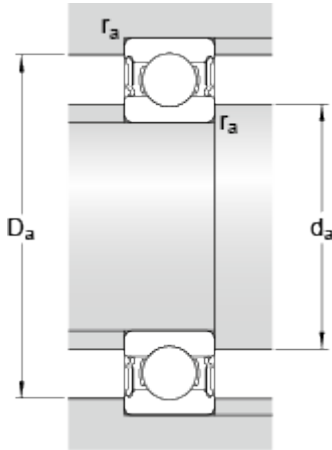
W 6206-2RS1

Dimensions



d		30	mm
D		62	mm
B		16	mm
d ₁	≈	40.7	mm
D ₂	≈	55.13	mm
r _{1,2}	min.	1	mm

Abutment dimensions



d _a	min.	35	mm
d _a	max.	40.5	mm
D _a	max.	57	mm
r _a	max.	1	mm

Calculation data

Basic dynamic load rating	C	16.5	kN
Basic static load rating	C	11.2	kN
Fatigue load limit	P _u	0.48	kN
Limiting speed		7000	r/min
Calculation factor	k _r	0.03	
Calculation factor	f	13.9	

Mass

Mass bearing		0.2	kg
--------------	--	-----	----