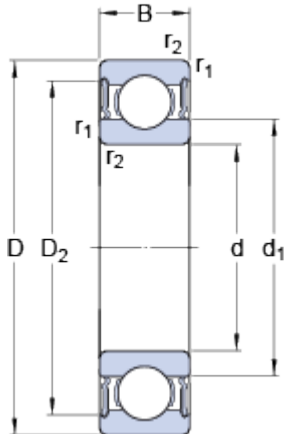


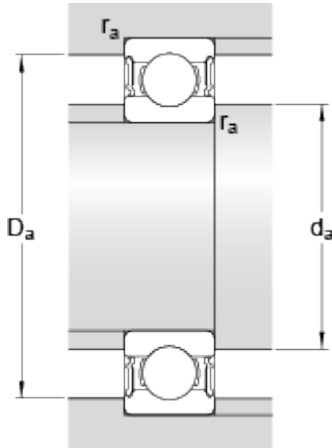
W 6202-2RS1

Dimensions



d		15	mm
D		35	mm
B		11	mm
d ₁	≈	21.7	mm
D ₂	≈	31.4	mm
r _{1,2}	min.	0.6	mm

Abutment dimensions



d _a	min.	19	mm
d _a	max.	21.5	mm
D _a	max.	32	mm
r _a	max.	0.6	mm

Calculation data

Basic dynamic load rating	C	6.37	kN
Basic static load rating	C	3.6	kN
Fatigue load limit	P _u	0.156	kN
Limiting speed		13000	r/min
Calculation factor	k _r	0.03	
Calculation factor	f	12.9	

Mass

Mass bearing		0.044	kg
--------------	--	-------	----