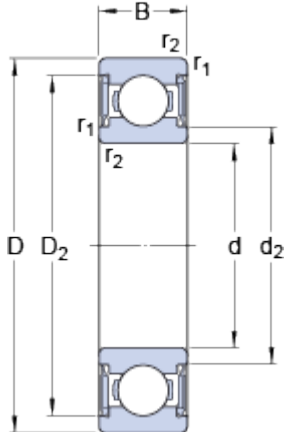


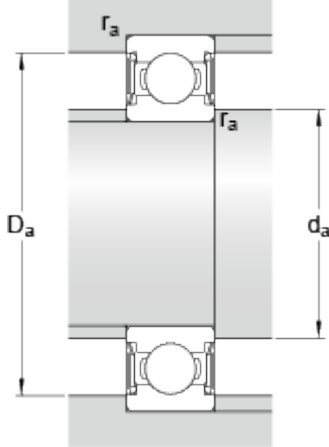
W 6200-2RS1

Dimensions



d		10	mm
D		30	mm
B		9	mm
d ₂	≈	15.3	mm
D ₂	≈	25.28	mm
r _{1,2}	min.	0.6	mm

Abutment dimensions



d _a	min.	14	mm
d _a	max.	15	mm
D _a	max.	26	mm
r _a	max.	0.6	mm

Calculation data

Basic dynamic load rating	C	4.36	kN
Basic static load rating	C	2.32	kN
Fatigue load limit	P _u	0.1	kN
Limiting speed		16000	r/min
Calculation factor	k _r	0.03	
Calculation factor	f	12.9	

Mass

Mass bearing		0.03	kg
--------------	--	------	----