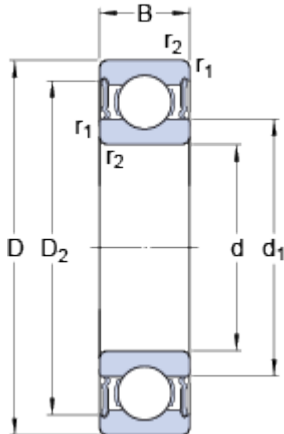


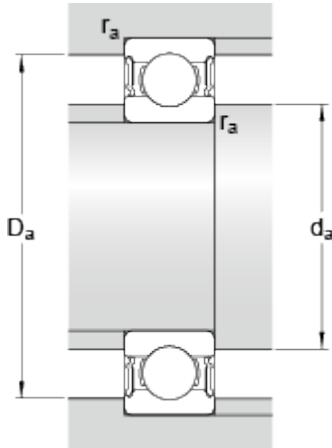
W 61905-2RS1

Dimensions



d		25	mm
D		42	mm
B		9	mm
d ₁	≈	30.9	mm
D ₂	≈	39.45	mm
r _{1,2}	min.	0.3	mm

Abutment dimensions



d _a	min.	27	mm
d _a	max.	30.5	mm
D _a	max.	40.5	mm
r _a	max.	0.3	mm

Calculation data

Basic dynamic load rating	C	6.05	kN
Basic static load rating	C	4.5	kN
Fatigue load limit	P _u	0.193	kN
Limiting speed		10000	r/min
Calculation factor	k _r	0.025	
Calculation factor	f	15.4	

Mass

Mass bearing		0.039	kg
--------------	--	-------	----