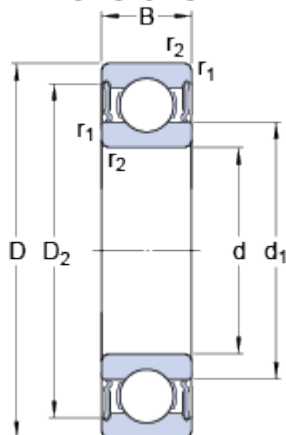


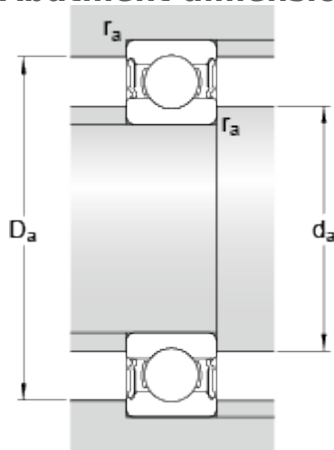
W 61903-2RS1

Dimensions



| | | | |
|------------------|------|------|----|
| d | | 17 | mm |
| D | | 30 | mm |
| B | | 7 | mm |
| d ₁ | ≈ | 21 | mm |
| D ₂ | ≈ | 27.8 | mm |
| r _{1,2} | min. | 0.3 | mm |

Abutment dimensions



| | | | |
|----------------|------|------|----|
| d _a | min. | 19 | mm |
| d _a | max. | 20.5 | mm |
| D _a | max. | 28.5 | mm |
| r _a | max. | 0.3 | mm |

Calculation data

| | | | |
|---------------------------|----------------|-------|-------|
| Basic dynamic load rating | C | 3.97 | kN |
| Basic static load rating | C | 2.55 | kN |
| Fatigue load limit | P _u | 0.108 | kN |
| Limiting speed | | 14000 | r/min |
| Calculation factor | k _r | 0.025 | |
| Calculation factor | f | 14.8 | |

Mass

| | | | |
|--------------|--|-------|----|
| Mass bearing | | 0.017 | kg |
|--------------|--|-------|----|