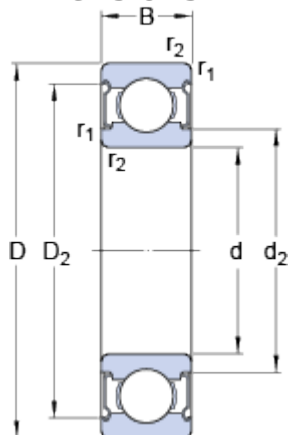


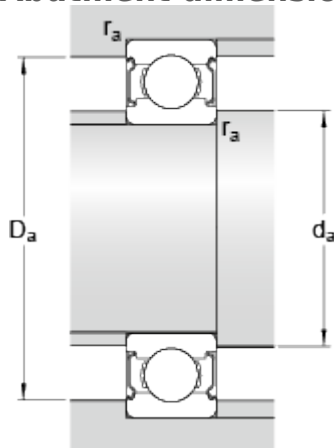
# W 61900-2Z

## Dimensions



|                  |      |      |    |
|------------------|------|------|----|
| d                |      | 10   | mm |
| D                |      | 22   | mm |
| B                |      | 6    | mm |
| d <sub>2</sub>   | ≈    | 13.2 | mm |
| D <sub>2</sub>   | ≈    | 19.4 | mm |
| r <sub>1,2</sub> | min. | 0.3  | mm |

## Abutment dimensions



|                |      |     |    |
|----------------|------|-----|----|
| d <sub>a</sub> | min. | 12  | mm |
| d <sub>a</sub> | max. | 13  | mm |
| D <sub>a</sub> | max. | 20  | mm |
| r <sub>a</sub> | max. | 0.3 | mm |

## Calculation data

|                           |                |       |       |
|---------------------------|----------------|-------|-------|
| Basic dynamic load rating | C              | 2.34  | kN    |
| Basic static load rating  | C              | 1.25  | kN    |
| Fatigue load limit        | P <sub>u</sub> | 0.054 | kN    |
| Reference speed           |                | 70000 | r/min |
| Limiting speed            |                | 36000 | r/min |
| Calculation factor        | k <sub>r</sub> | 0.025 |       |
| Calculation factor        | f              | 14    |       |

## Mass

|              |  |        |    |
|--------------|--|--------|----|
| Mass bearing |  | 0.0094 | kg |
|--------------|--|--------|----|