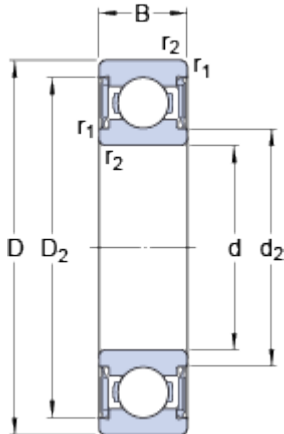


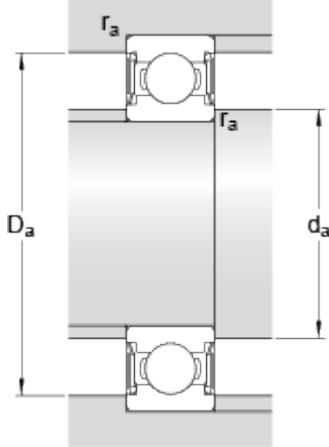
W 61900-2RS1

Dimensions



d		10	mm
D		22	mm
B		6	mm
d ₂	≈	13.2	mm
D ₂	≈	19.4	mm
r _{1,2}	min.	0.3	mm

Abutment dimensions



d _a	min.	12	mm
d _a	max.	13	mm
D _a	max.	20	mm
r _a	max.	0.3	mm

Calculation data

Basic dynamic load rating	C	2.34	kN
Basic static load rating	C	1.25	kN
Fatigue load limit	P _u	0.054	kN
Limiting speed		20000	r/min
Calculation factor	k _r	0.025	
Calculation factor	f	14	

Mass

Mass bearing		0.0093	kg
--------------	--	--------	----