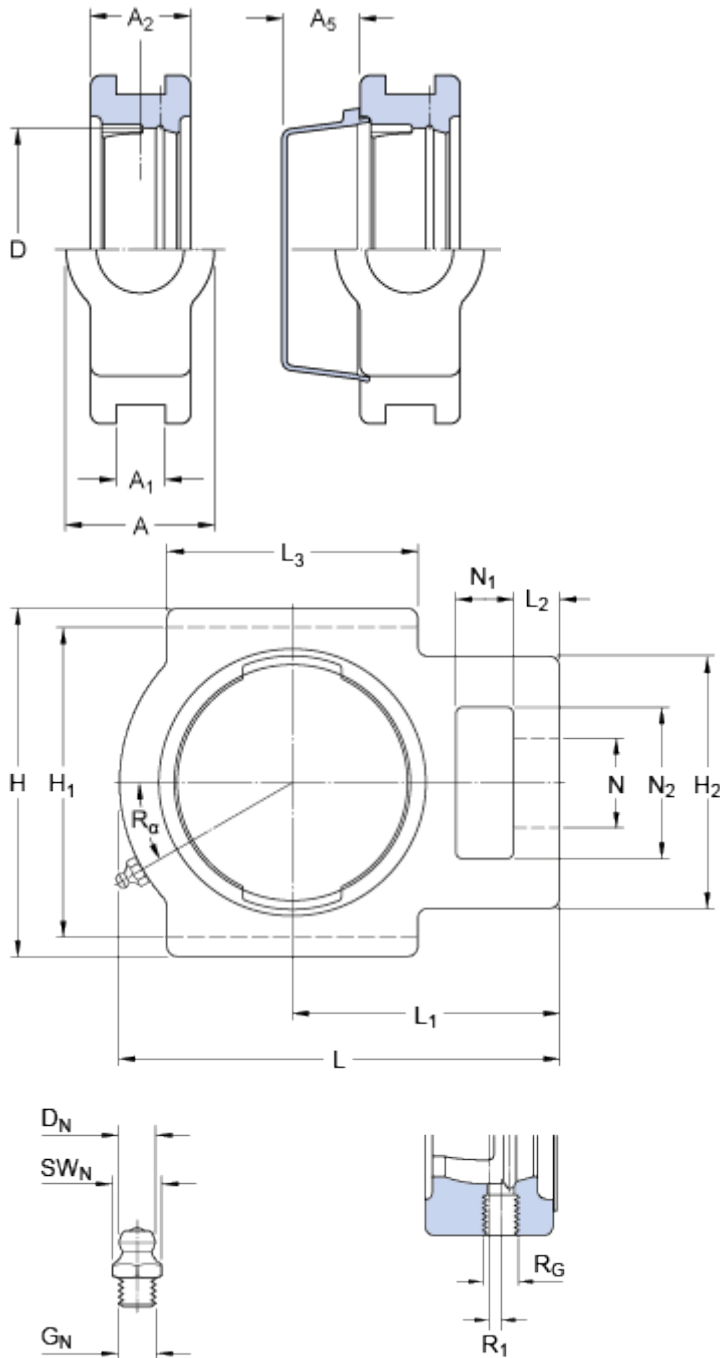


TU 508 M

Dimensions



D	80	mm
A	49	mm
A_1	17.5	mm
A_2	33	mm
A_5	23.5	mm
H	115	mm
H_1	101	mm
H_2	83	mm
L	145	mm
L_1	88	mm
L_2	15	mm
L_3	83	mm
N	29	mm
N_1	19	mm
N_2	50	mm

Threaded hole

R_G	1/4-28 UNF	
R_1	4	mm
R_α	30	°

Grease fitting

D_N	6.5	mm
SW_N	7	mm
G_N	1/4-28 SAE-LT	

Mass

Mass housing	1.7	kg
--------------	-----	----

Appropriate products

End cover	ECY 208	
-----------	-------------------------	--

