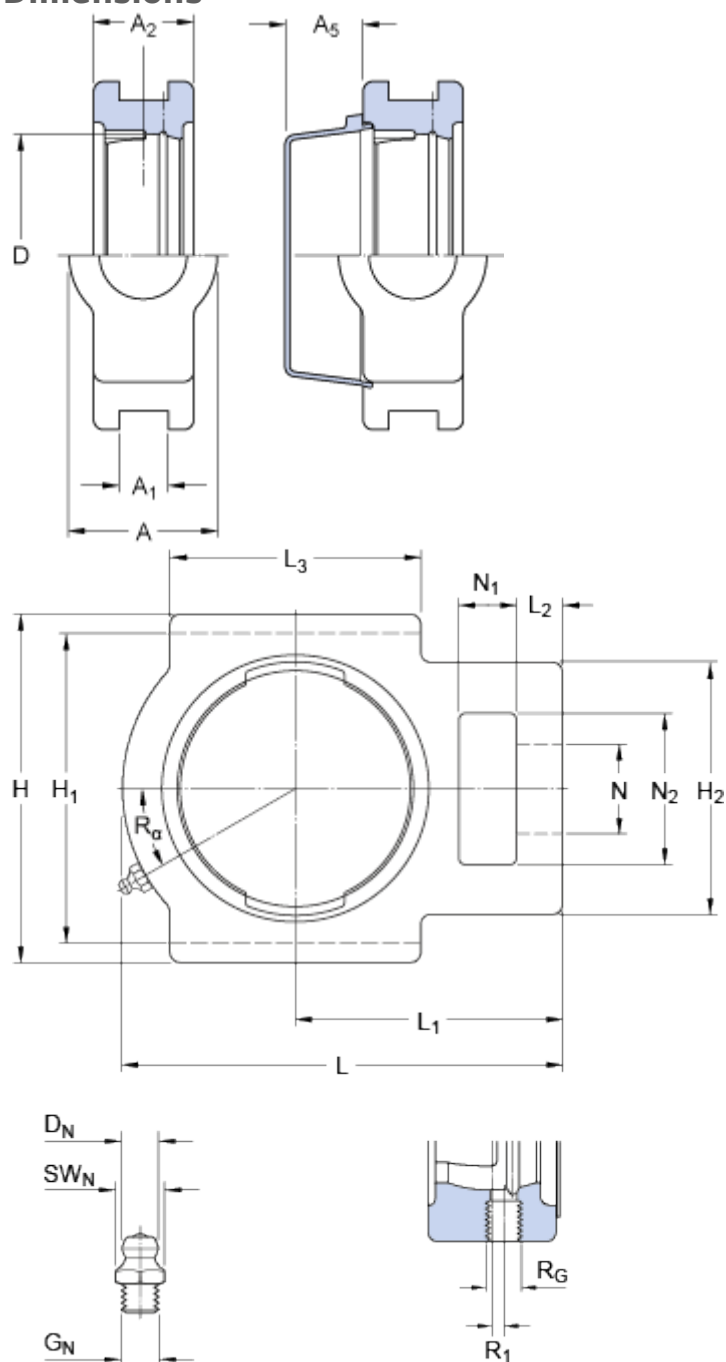


TU 507 M

Dimensions



D	72	mm
A	37	mm
A_1	13.5	mm
A_2	30	mm
A_5	22	mm
H	103	mm
H_1	89	mm
H_2	64	mm
L	129	mm
L_1	78	mm
L_2	12	mm
L_3	64	mm
N	22	mm
N_1	17	mm
N_2	38	mm

Threaded hole

R_G	1/4-28 UNF	
R_1	3.5	mm
R_α	30	°

Grease fitting

D_N	6.5	mm
SW_N	7	mm
G_N	1/4-28 SAE-LT	

Mass

Mass housing

1.1

kg

Appropriate products

End cover

[ECY 207](#)

