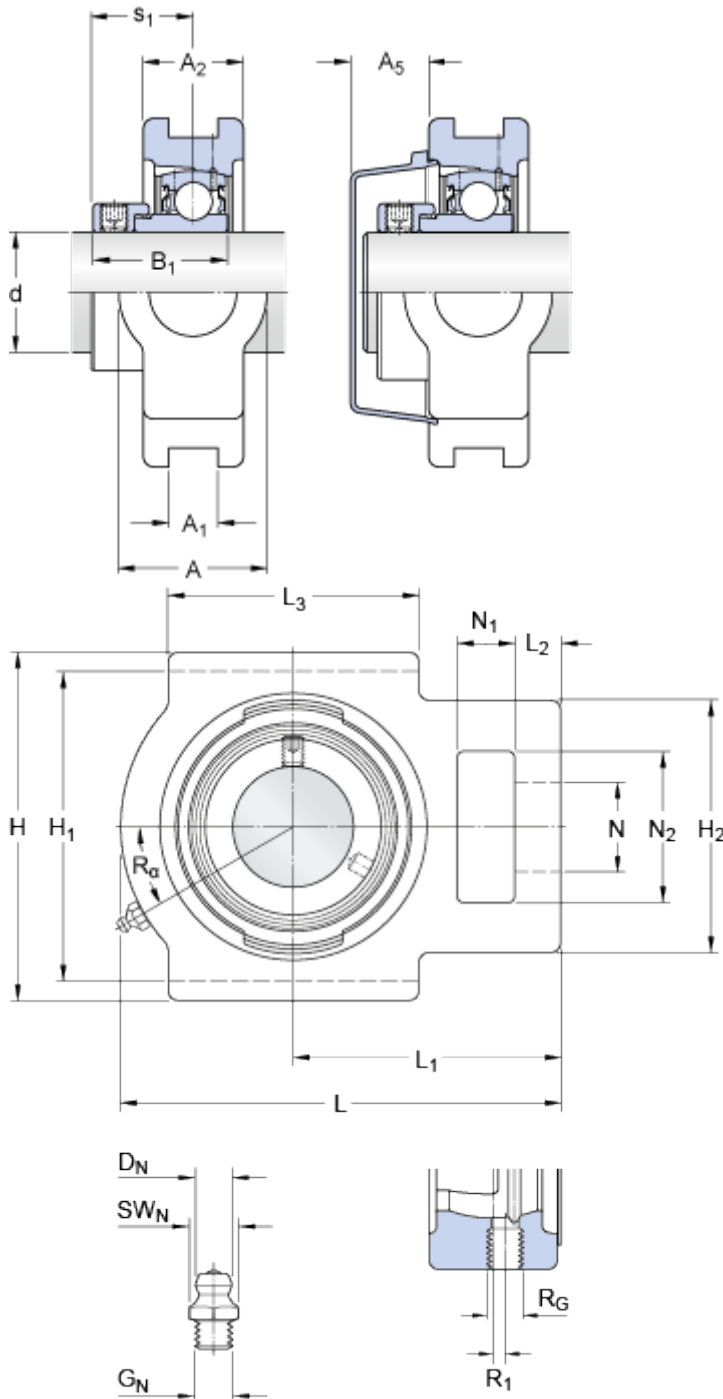


TU 40 FM

Housing material

Cast iron

Dimensions



d	40	mm
A	49	mm
A_1	17.5	mm
A_2	33	mm
A_5	23.5	mm
B	30.2	mm
H	115	mm
H_1	101	mm
H_2	83	mm
L	145	mm
L_1	88	mm
L_2	15	mm
L_3	83	mm
N	29	mm
N_1	19	mm
N_2	50	mm
s_1	33.2	mm

Threaded hole

R_G	1/4-28 UNF	
R_1	4	mm
R_α	30	°

Grease fitting

D_N	6.5	mm
SW_N	7	mm
G_N	1/4-28 SAE-LT	

Calculation data

Basic dynamic load rating	C	30.7	kN
Basic static load rating	C	19	kN
Fatigue load limit	P_u	0.8	kN
Limiting speed with shaft tolerance h6		4800	r/min

Mass

Mass bearing unit		2.3	kg
-------------------	--	-----	----

Mounting information

Grub (set) screw	G ₂	M10x1	
Hexagonal key size for grub screw	N	5	mm
Recommended tightening torque for grub screw		16.5	N·m

Included products

Housing	TU 508 M
Bearing	YET 208

Assosiated products

End cover	ECY 208
-----------	-------------------------