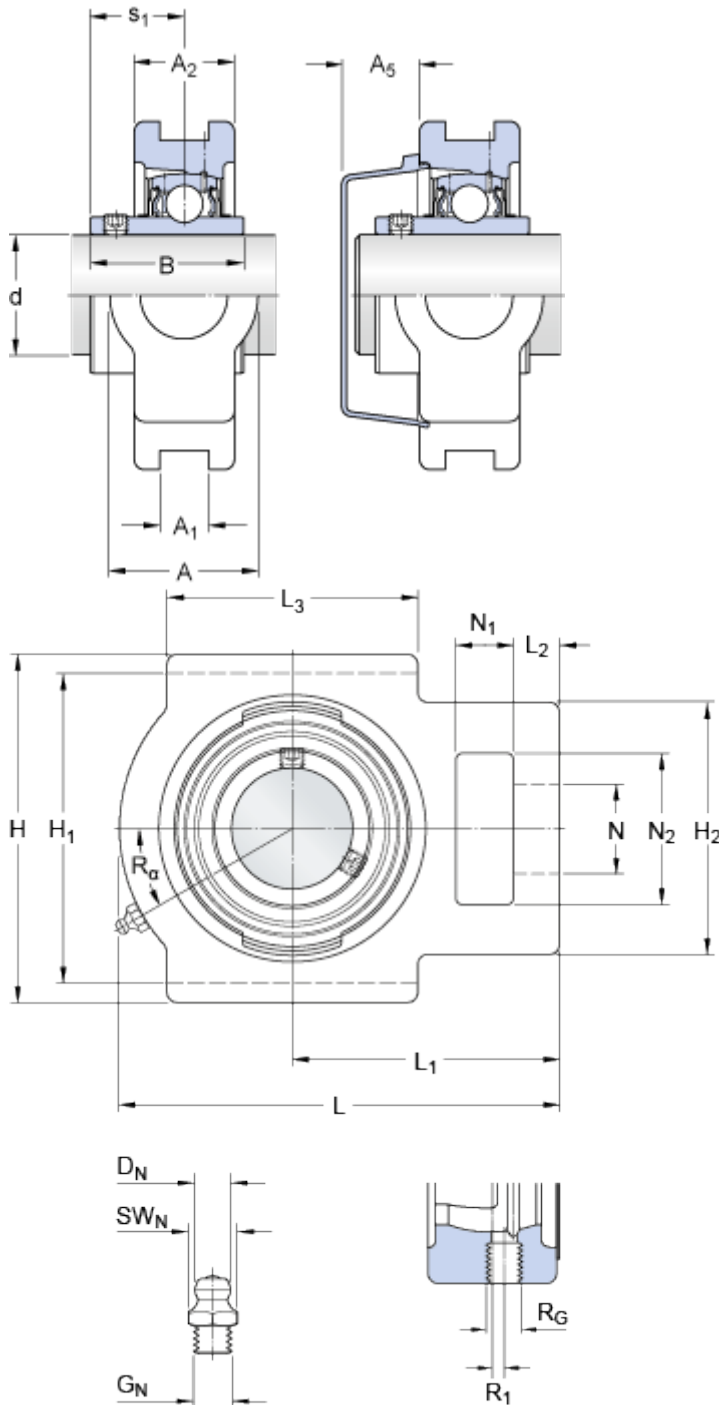


TU 25 TF

Housing material

Cast iron

Dimensions



d	25	mm
A	34	mm
A_1	13.5	mm
A_2	25	mm
A_5	18	mm
B	34.1	mm
B_4	5	mm
H	91	mm
H_1	76	mm
H_2	53	mm
L	100	mm
L_1	64	mm
L_2	10	mm
L_3	52	mm
N	19	mm
N_1	16	mm
N_2	33	mm
s_1	19.8	mm

Threaded hole

R_G 1/4-28 UNF

R_1 2 mm

R_α 30 °

Grease fitting

D_N 6.5 mm

SW_N 7 mm

G_N 1/4-28 SAE-LT

Calculation data

Basic dynamic load rating	C	14	kN
Basic static load rating	C	7.8	kN
Fatigue load limit	P_u	0.335	kN
Limiting speed with shaft tolerance h6		7000	r/min

Mass

Mass bearing unit	0.84	kg
-------------------	------	----

Mounting information

Grub (set) screw	G ₂	M6x0.75
Hexagonal key size for grub screw	N	3 mm
Recommended tightening torque for grub screw	4	N·m

Included products

Housing	TU 505 M
Bearing	YAR 205-2F

Associated products

End cover	ECY 205
-----------	-------------------------