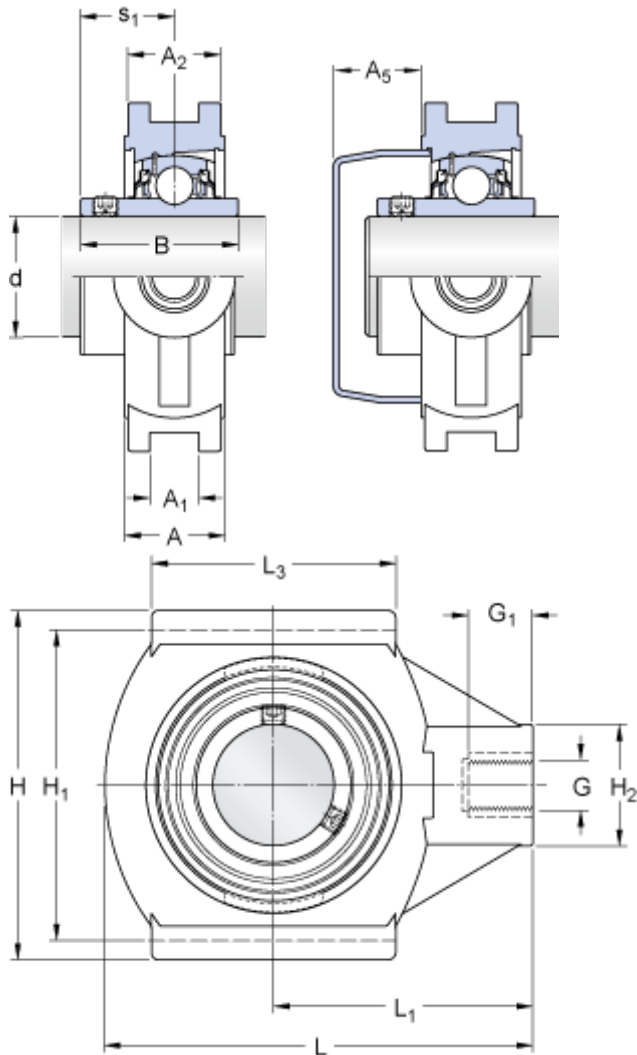


# TUWK 30 LTHR

Housing material

Composite for food and beverage

## Dimensions



|       |       |    |
|-------|-------|----|
| $d$   | 30    | mm |
| $A$   | 34    | mm |
| $A_1$ | 12    | mm |
| $A_2$ | 30    | mm |
| $A_5$ | 26.5  | mm |
| $B$   | 38.1  | mm |
| $B_4$ | 5     | mm |
| $H$   | 102.5 | mm |
| $H_1$ | 89    | mm |
| $H_2$ | 40    | mm |
| $L$   | 125   | mm |
| $L_1$ | 76    | mm |
| $L_3$ | 63.5  | mm |
| $G$   | M16   |    |
| $G_1$ | 21    | mm |
| $s_1$ | 22.2  | mm |

## Calculation data

|  |       |       |       |
|--|-------|-------|-------|
| Basic dynamic load rating              | C     | 16.3  | kN    |
| Basic static load rating               | C     | 11.2  | kN    |
| Fatigue load limit                     | $P_u$ | 0.475 | kN    |
| Limiting speed with shaft tolerance h6 |       | 3800  | r/min |

## Mass

|                   |      |    |
|-------------------|------|----|
| Mass bearing unit | 0.62 | kg |
|-------------------|------|----|

## Mounting information

|  |       |         |
|--|-------|---------|
| Grub (set) screw                             | $G_2$ | M6x0.75 |
| Hexagonal key size for grub screw            | N     | 3 mm    |
| Recommended tightening torque for grub screw |       | 4 N·m   |

## Included products

|         |                                  |
|---------|----------------------------------|
| Housing | <a href="#">TUWK 506 L</a>       |
| Bearing | <a href="#">YAR 206-2RFGR/HV</a> |

## Associated products

