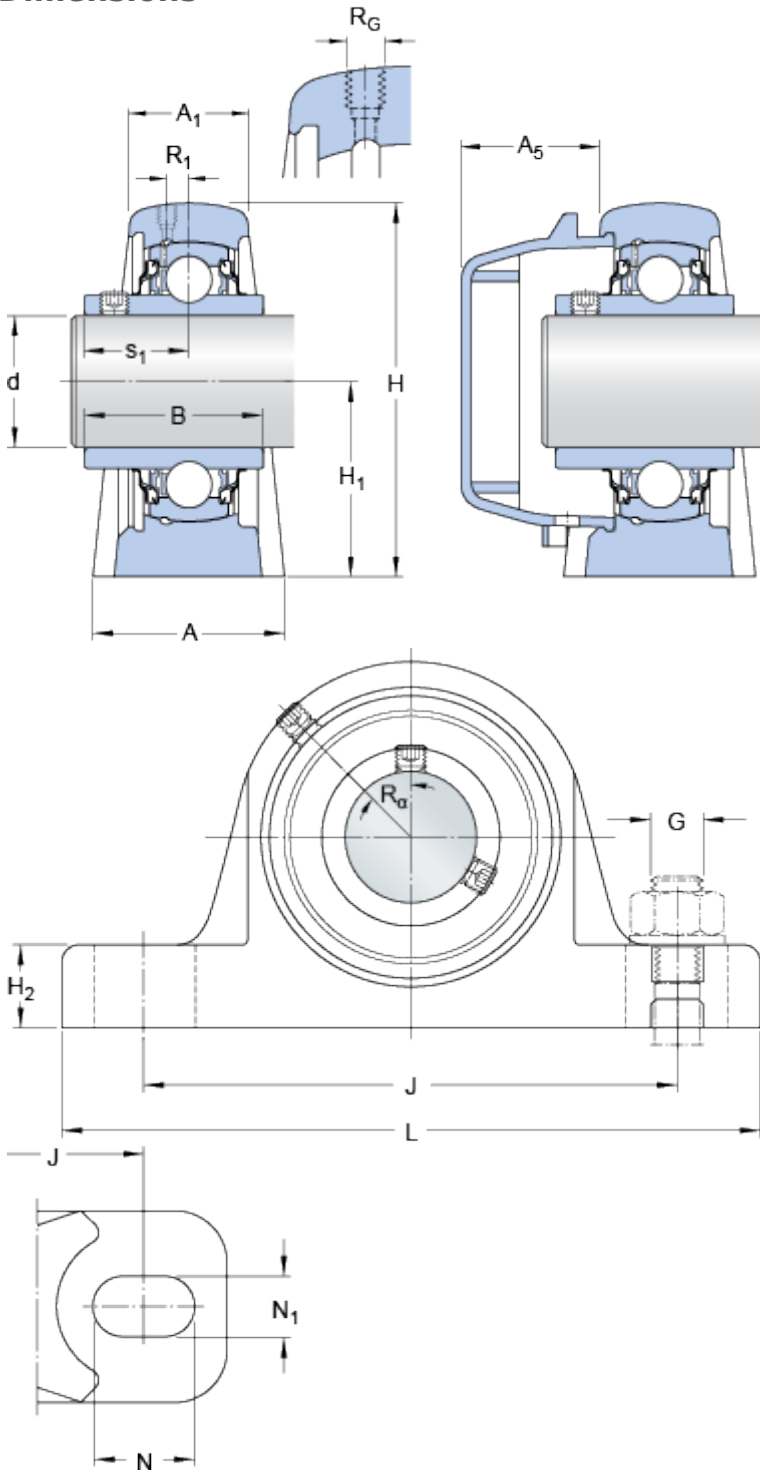


SYWR 20 YTHR

Material

Stainless steel

Dimensions



d	20	mm
A	32	mm
A ₁	23	mm
A ₅	25.2	mm
B	31	mm
H	63.5	mm
H ₁	33.3	mm
H ₂	14	mm
J	96.5	mm
J	max. 106	mm
J	min. 87	mm
L	127	mm
N	21	mm
N ₁	11.5	mm
s ₁	18.3	mm

Threaded hole

R _G	1/4-28 UNF
R ₁	1.5 mm
R _α	45 °

Calculation data

Basic dynamic load rating	C	10.8	kN
Basic static load rating	C	6.55	kN
Fatigue load limit	P _u	0.28	kN
Limiting speed		5000	r/min

(with shaft tolerance h6)

Mass

Mass bearing unit	0.65	kg
-------------------	------	----

Mounting information

Hexagonal key size for grub screw	N	3	mm
Recommended tightening torque for grub screw		4	N·m
Recommended diameter for attachment bolts, mm	G	10	mm
Recommended diameter for attachment bolts, inch	G	0.375	in

Included products

Housing	SYWR 504 Y
Bearing	YAR 204-2RFGR/HV

Assosiated products

End cover	ECW 204
-----------	-------------------------