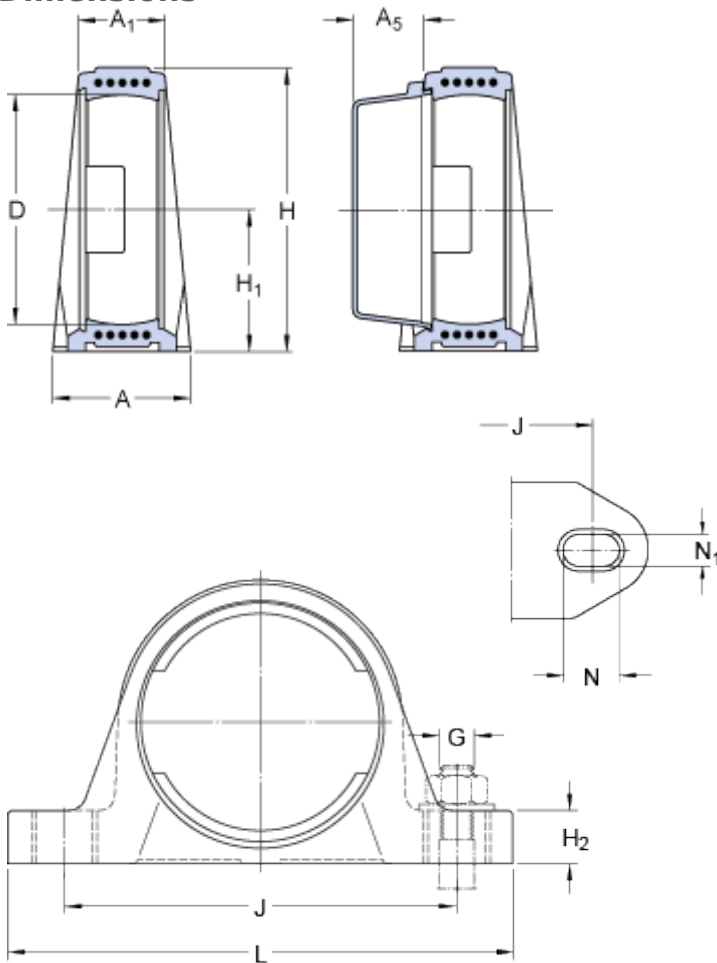


SYK 508

Dimensions



D	80	mm
A	48	mm
A ₁	30	mm
A ₅	23.5	mm
H	99.5	mm
H ₁	49.2	mm
H ₂	19	mm
J	136	mm
J	max. 143	mm
J	min. 129	mm
L	176	mm
N	21.5	mm
N ₁	14.5	mm

Mass

Mass housing	0.27	kg
--------------	------	----

Mounting information

Recommended diameter for attachment bolts, mm	G	12	mm
Recommended diameter for attachment bolts, inch	G	0.5	in

Appropriate products

Appropriate end cover	ECY 208
-----------------------	-------------------------