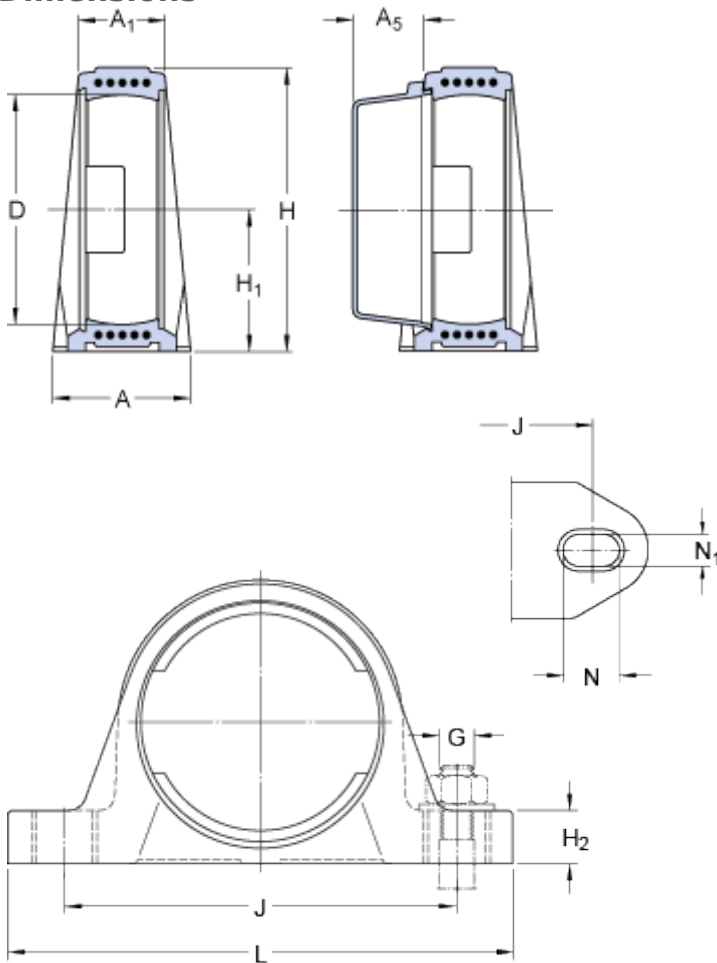


# SYK 506

## Dimensions



D	62	mm
A	40	mm
A <sub>1</sub>	25	mm
A <sub>5</sub>	20	mm
H	82.5	mm
H <sub>1</sub>	42.9	mm
H <sub>2</sub>	19	mm
J	121	mm
J	max. 128	mm
J	min. 114	mm
L	159	mm
N	21.5	mm
N <sub>1</sub>	14.5	mm

## Mass

Mass housing	0.18	kg
--------------	------	----

## Mounting information

Recommended diameter for attachment bolts, mm	G	12	mm
Recommended diameter for attachment bolts, inch	G	0.5	in

## Appropriate products

Appropriate end cover	<a href="#">ECY 206</a>
-----------------------	-------------------------