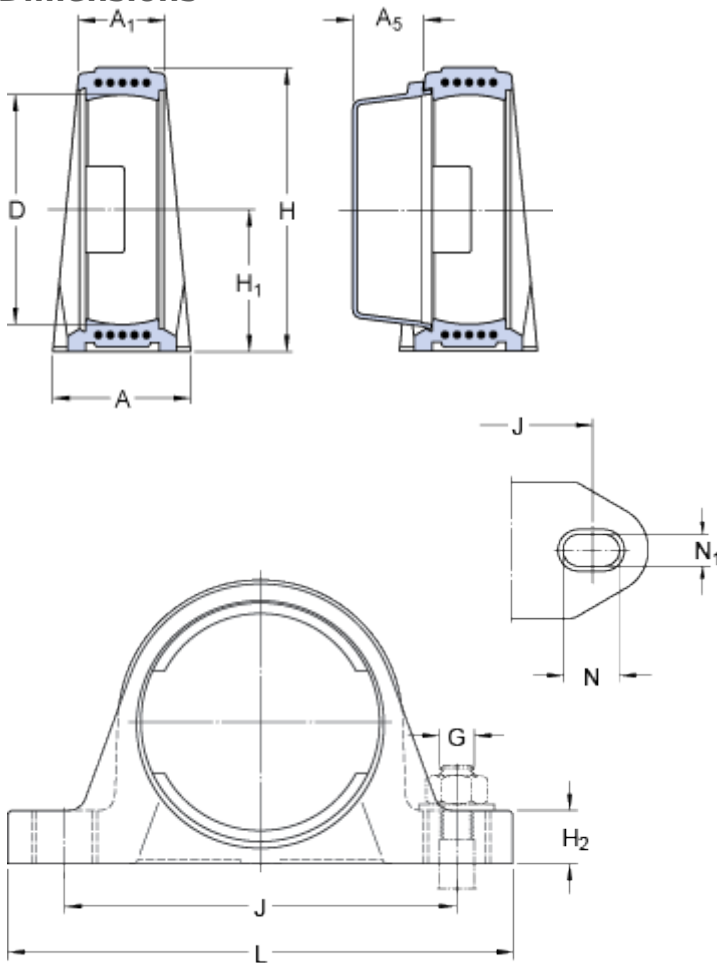


SYK 505

Dimensions



D	52	mm
A	32	mm
A ₁	22	mm
A ₅	18	mm
H	71	mm
H ₁	36.5	mm
H ₂	16	mm
J	105	mm
J	max.	110 mm
J	min.	100 mm
L	134	mm
N	17.5	mm
N ₁	12.5	mm

Mass

Mass housing	0.12	kg
--------------	------	----

Mounting information

Recommended diameter for attachment bolts, mm	G	10	mm
Recommended diameter for attachment bolts, inch	G	0.375	in

Appropriate products

Appropriate end cover	ECY 205
-----------------------	-------------------------