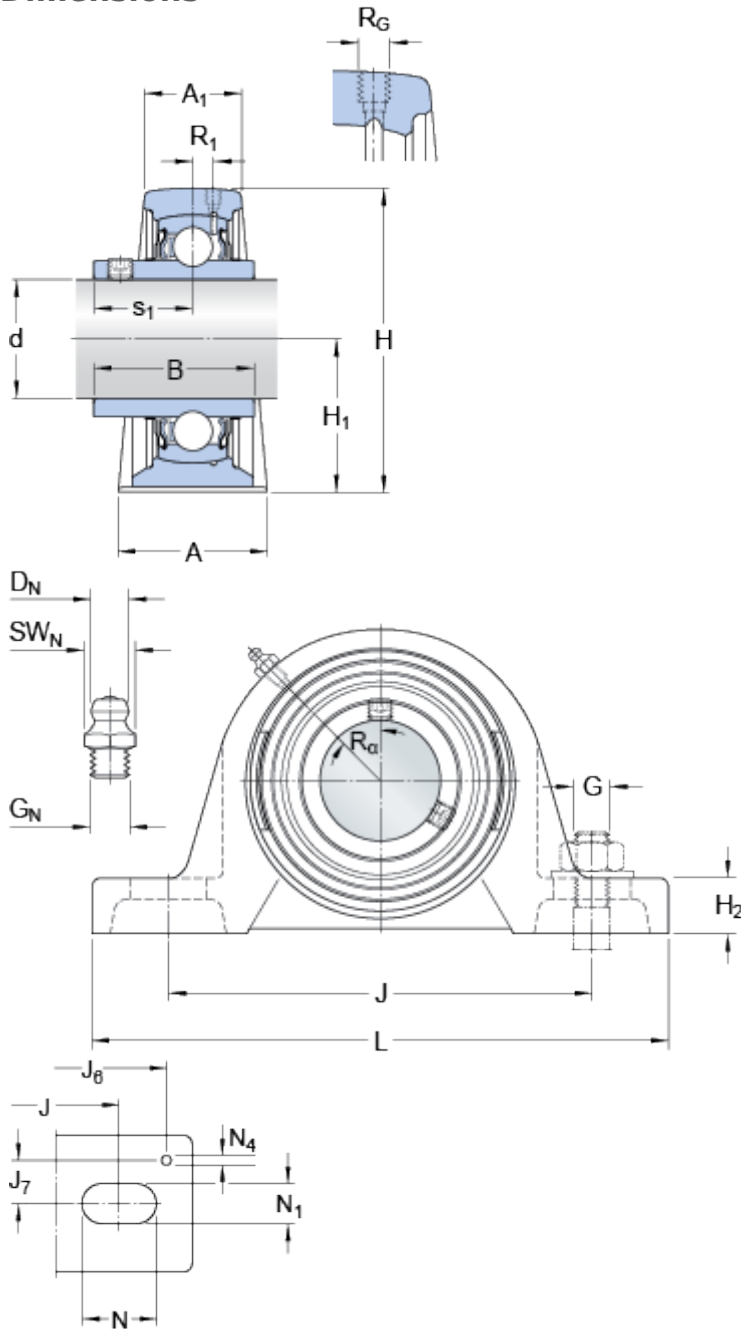


SYJ 75 TF

Material

Cast iron

Dimensions



d	75	mm	
A	74	mm	
A ₁	54	mm	
B	73.3	mm	
H	165.5	mm	
H ₁	82.5	mm	
H ₂	28	mm	
J	217	mm	
J	max.	222	mm
J	min.	212	mm
L	275	mm	
N	30	mm	
N ₁	25	mm	
s ₁	46.3	mm	

Threaded hole

R _G	1/4-28 UNF	
R ₁	6.5	mm
R _α	45	°

Grease fitting

D _N	6.5	mm
SW _N	7	mm
G _N	1/4-28 SAE-LT	

Dowel pins

J ₆	255	mm
J ₇	27	mm
N ₄	4	mm

Calculation data

Basic dynamic load rating	C	66.3	kN
Basic static load rating	C	49	kN
Fatigue load limit	P _u	2.04	kN
Limiting speed		2600	r/min

(with shaft tolerance h6)

Mass

Mass bearing unit	7.4	kg
-------------------	-----	----

Mounting information

Hexagonal key size for grub screw	N	5	mm
Recommended tightening torque for grub screw		16.5	N·m
Recommended diameter for attachment bolts, mm	G	20	mm
Recommended diameter for attachment bolts, inch	G	0.75	in

Included products

Housing	SYJ 515
Bearing	YAR 215-2F