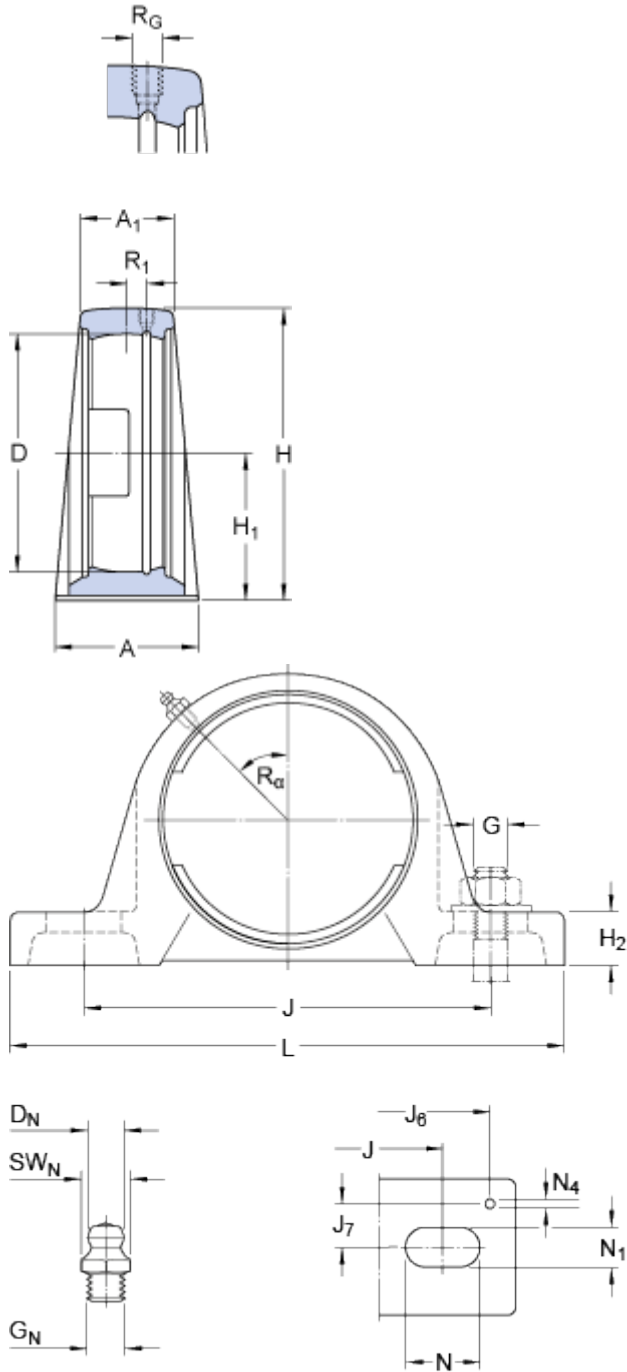


SYJ 516

Dimensions



D	140	mm
H ₁	88.9	mm
A	78	mm
A ₁	50	mm
H	175.5	mm
H ₂	30	mm
J	232	mm
J	max. 242	mm
J	min. 222	mm
L	292	mm
N	35	mm
N ₁	25	mm

Threaded hole

R _G	1/4-28 UNF
R ₁	6.5 mm
R _α	45 °

Grease fitting

D _N	6.5 mm
SW _N	7 mm
G _N	1/4-28 SAE-LT

Dowel pins

J ₆	270 mm
J ₇	28 mm
N ₄	4 mm

Mass

Mass housing	5.8	kg
--------------	-----	----

Mounting information

Recommended diameter for attachment bolts, mm	G	20	mm
Recommended diameter for attachment bolts, inch	G	0.75	in

