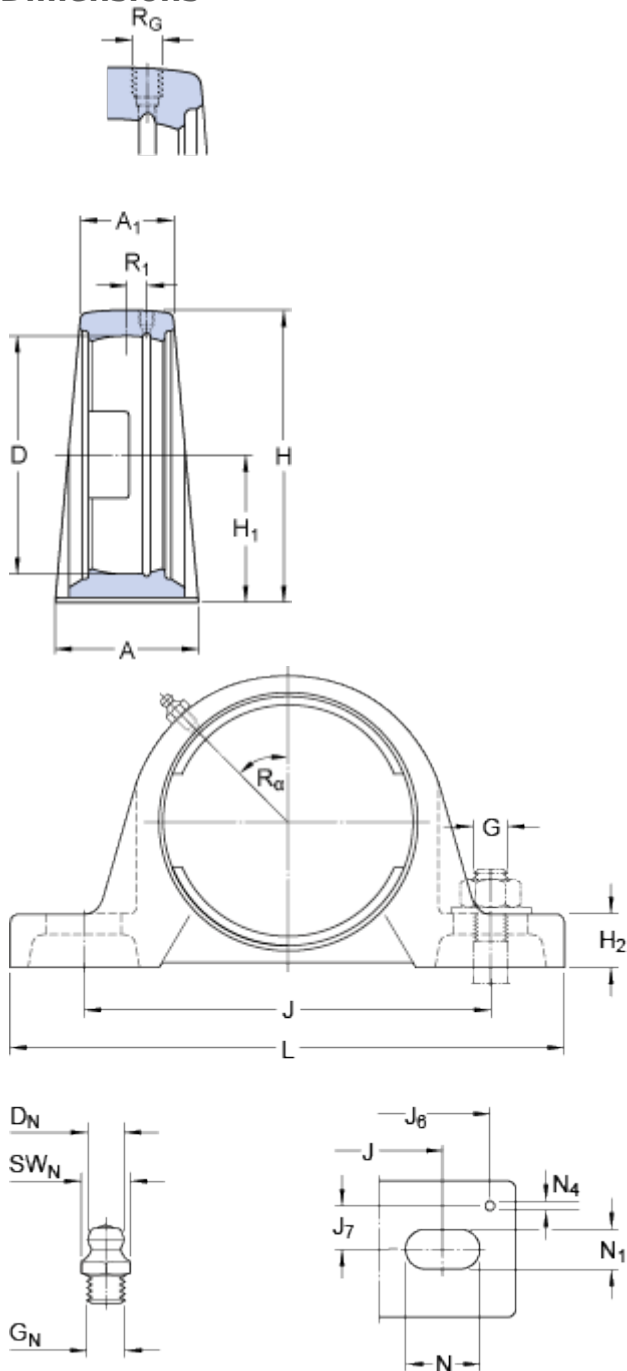


SYJ 509

Dimensions



D	85	mm
H ₁	54	mm
A	52	mm
A ₁	36	mm
H	107.5	mm
H ₂	20	mm
J	143.5	mm
J	max. 151	mm
J	min. 136	mm
L	190	mm
N	24.5	mm
N ₁	17	mm

Threaded hole

R _G	1/4-28 UNF
R ₁	4 mm
R _α	45 °

Grease fitting

D _N	6.5 mm
SW _N	7 mm
G _N	1/4-28 SAE-LT

Dowel pins

J ₆	174 mm
J ₇	18 mm
N ₄	4 mm

Mass

Mass housing	1.55	kg
--------------	------	----

Mounting information

Recommended diameter for attachment bolts, mm	G	14	mm
Recommended diameter for attachment bolts, inch	G	0.5625	in

