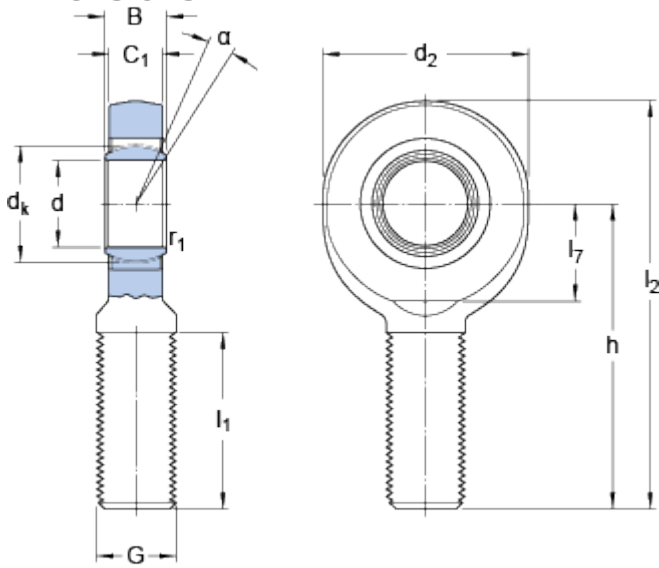


SA 30 C

Dimensions



d		30	mm
d ₂	max.	75	mm
B		22	mm
G		M 30x2	
C ₁	max.	20	mm
h		110	mm
α		6	°
d _k		40.7	mm
l ₁	min.	65	mm
l ₂	max.	149	mm
l ₇	min.	34	mm
r ₁	min.	0.6	mm

Calculation data

Basic dynamic load rating	C	65.5	kN
Basic static load rating	C	81.5	kN
Specific dynamic load factor	K	100	N/mm ²
Material constant	K _M	1400	

Mass

Mass rod end		0.9	kg
--------------	--	-----	----