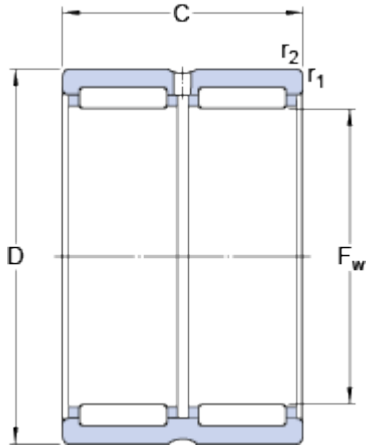


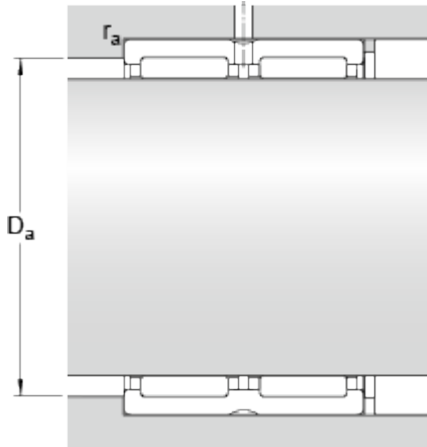
RNA 6908

Dimensions



F_w		48	mm
D		62	mm
C		40	mm
$r_{1,2}$	min.	0.6	mm

Abutment dimensions



D_a	max.	58	mm
r_a	max.	0.6	mm

Calculation data

Basic dynamic load rating	C	67.1	kN
Basic static load rating	C	125	kN
Fatigue load limit	P_u	15.3	kN
Reference speed		8000	r/min
Limiting speed		9500	r/min

Mass

Mass bearing		0.26	kg
--------------	--	------	----

Associated products

Radial shaft seal		48x62x8 HMS5 RG	
-------------------	--	---------------------------------	--