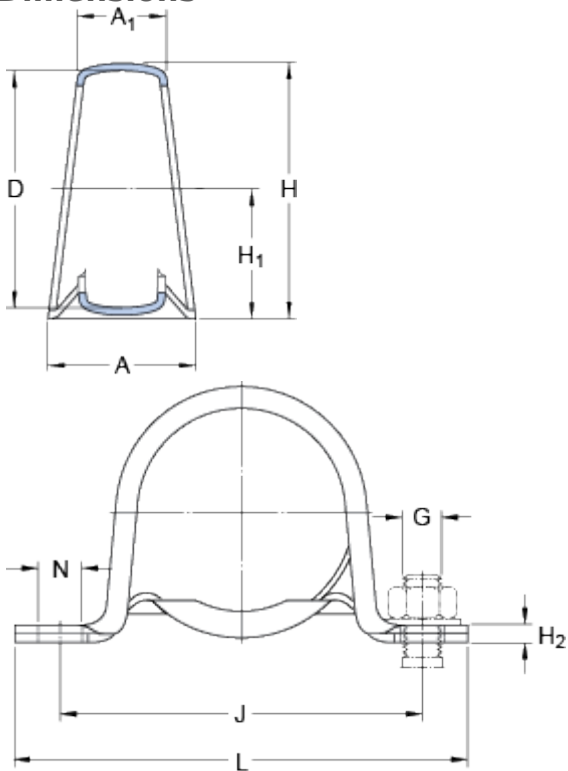


P 62

Dimensions



D	62	mm
A	38	mm
A ₁	25	mm
H	66	mm
H ₁	33	mm
H ₂	4	mm
J	95	mm
L	119	mm
N	11.2	mm

Calculation data

Permissible radial load	max.	2.6	kN
-------------------------	------	-----	----

Mass

Mass housing	0.17	kg
--------------	------	----

Mounting information

Recommended diameter for attachment bolts, mm	G	10	mm
Recommended diameter for attachment bolts, inch	G	0.375	in