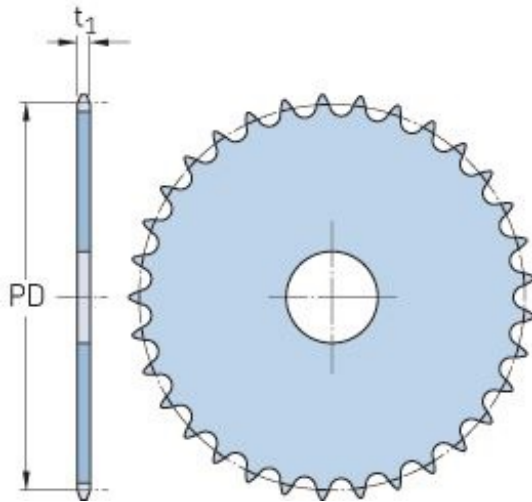


# PHS 08B-1A38



Pitch P (mm)	<b>12.7</b>
Pitch P (in)	<b>0.5</b>
No. of teeth	<b>38</b>
Pitch diameter (mm)	<b>12.7</b>
Pitch diameter (in)	<b>0.5</b>
Min. bore (mm)	-
Min. bore (in)	-
Max. bore (mm)	-
Max. bore (in)	-
Hub H (mm)	-
Hub H (in)	-
Hub L (mm)	-
Hub L (in)	-
Weight (kg)	<b>0.97</b>
Weight (lbs)	<b>2.14</b>