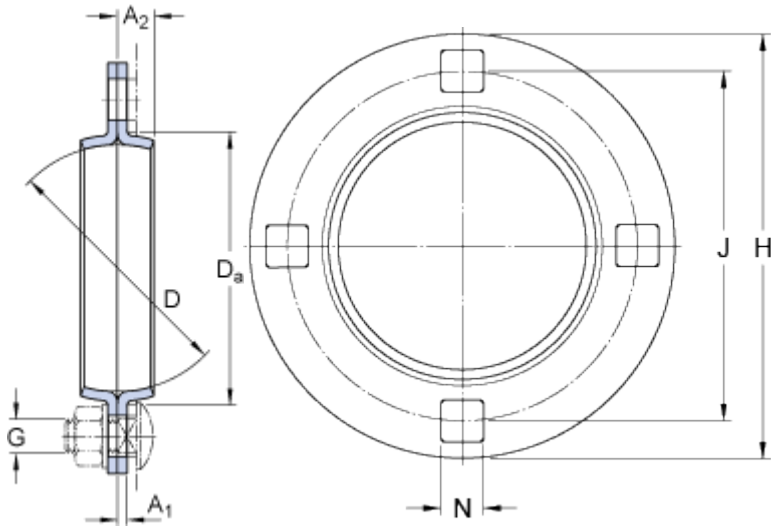


PF 90

Dimensions



D		90	mm
D _a	min.	98	mm
A ₁		4	mm
A ₂		11	mm
J		127	mm
H		155	mm
N		13.5	mm

Calculation data

Permissible radial load	max.	9	kN
-------------------------	------	---	----

Mass

Mass housing	0.83	kg
--------------	------	----

Mounting information

Recommended diameter for attachment bolts, mm	G	12	mm
Recommended diameter for attachment bolts, inch	G	0.5	in