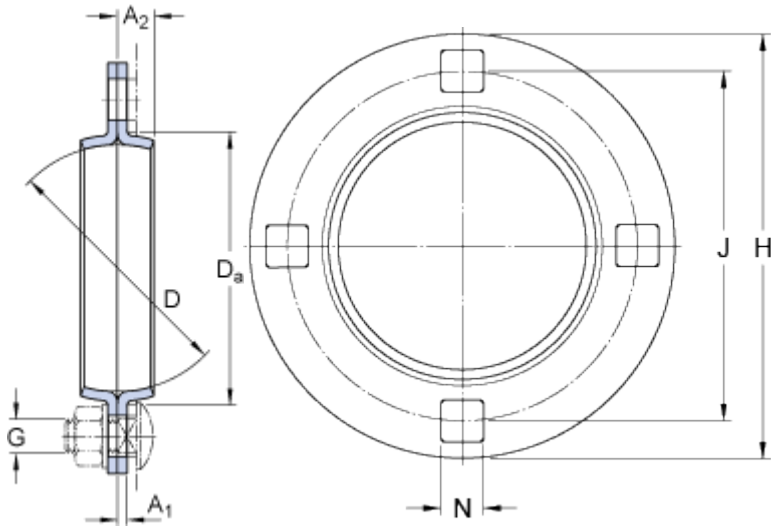


PF 85

Dimensions



D		85	mm
D _a	min.	92	mm
A ₁		3.5	mm
A ₂		10.5	mm
J		120.6	mm
H		149	mm
N		13.5	mm

Calculation data

Permissible radial load	max.	8.3	kN
-------------------------	------	-----	----

Mass

Mass housing	0.69	kg
--------------	------	----

Mounting information

Recommended diameter for attachment bolts, mm	G	12	mm
Recommended diameter for attachment bolts, inch	G	0.5	in