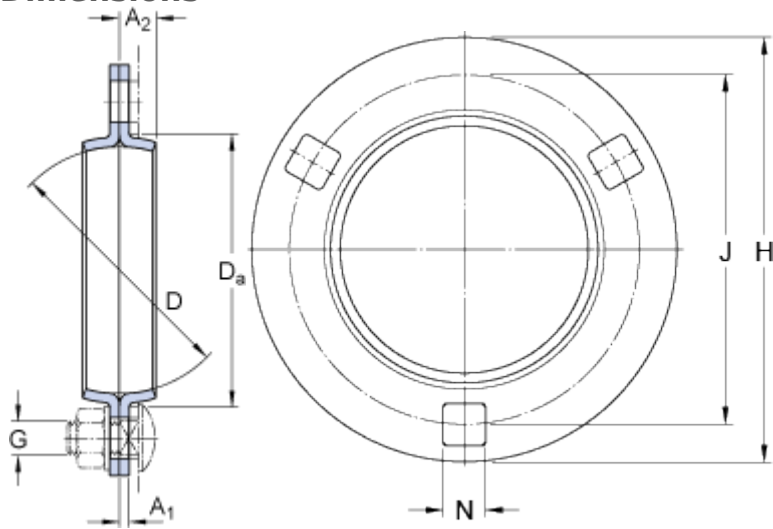


# PF 72

## Dimensions



D		72	mm
D <sub>a</sub>	min.	77	mm
A <sub>1</sub>		2.5	mm
A <sub>2</sub>		10	mm
J		100	mm
H		122	mm
N		11	mm

## Calculation data

Permissible radial load	max.	6.5	kN
-------------------------	------	-----	----

## Mass

Mass housing	0.34	kg
--------------	------	----

## Mounting information

Recommended diameter for attachment bolts, mm	G	10	mm
Recommended diameter for attachment bolts, inch	G	0.375	in