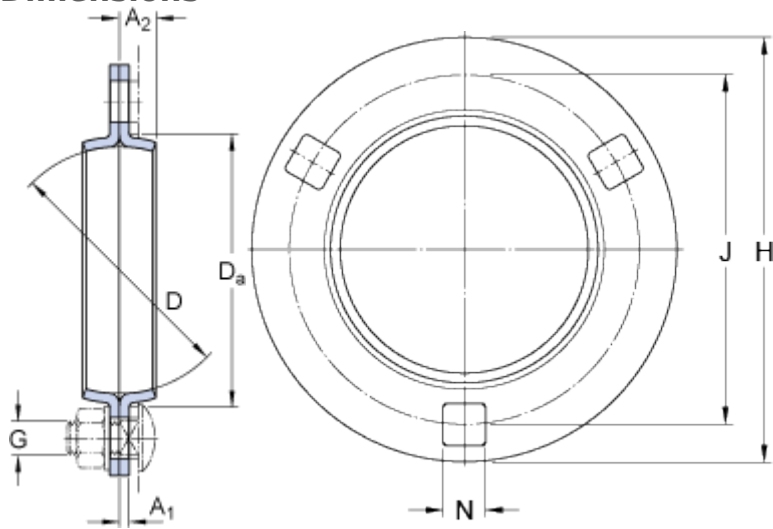


PF 40

Dimensions



D		40	mm
D _a	min.	44	mm
A ₁		2	mm
A ₂		7	mm
J		63	mm
H		81	mm
N		7.1	mm

Calculation data

Permissible radial load	max.	2.5	kN
-------------------------	------	-----	----

Mass

Mass housing	0.13	kg
--------------	------	----

Mounting information

Recommended diameter for attachment bolts, mm	G	6	mm
Recommended diameter for attachment bolts, inch	G	0.25	in