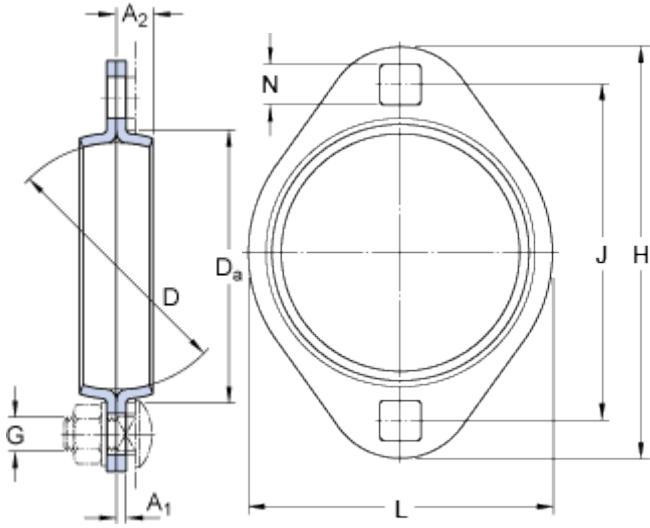


PFT 52

Dimensions



D	52	mm
A ₁	2	mm
A ₂	9	mm
D _a	min. 56	mm
J	76.2	mm
H	95	mm
L	71	mm
N	8.7	mm

Calculation data

Permissible radial load	max.	3.6	kN
-------------------------	------	-----	----

Mass

Mass housing	0.11	kg
--------------	------	----

Mounting information

Recommended diameter for attachment bolts, mm	G	8	mm
Recommended diameter for attachment bolts, inch	G	0.3125	in