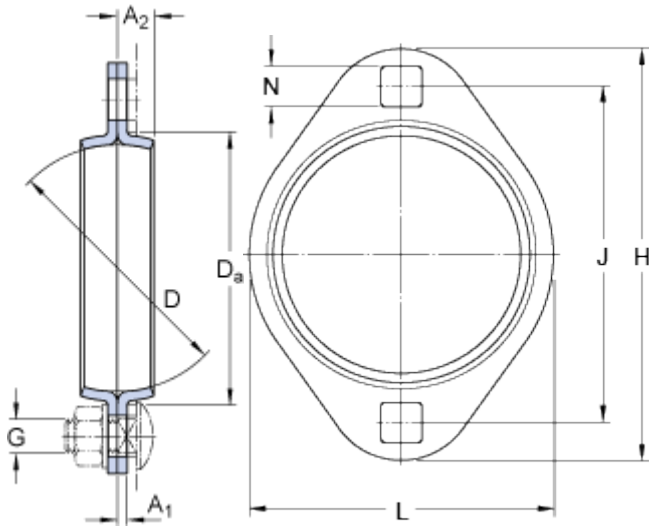


PFT 40

Dimensions



D	40	mm
A_1	2	mm
A_2	7	mm
D_a	min. 44	mm
J	63	mm
H	81	mm
L	59	mm
N	7.1	mm

Calculation data

Permissible radial load	max.	2.5	kN
-------------------------	------	-----	----

Mass

Mass housing	0.08	kg
--------------	------	----

Mounting information

Recommended diameter for attachment bolts, mm	G	6	mm
Recommended diameter for attachment bolts, inch	G	0.25	in