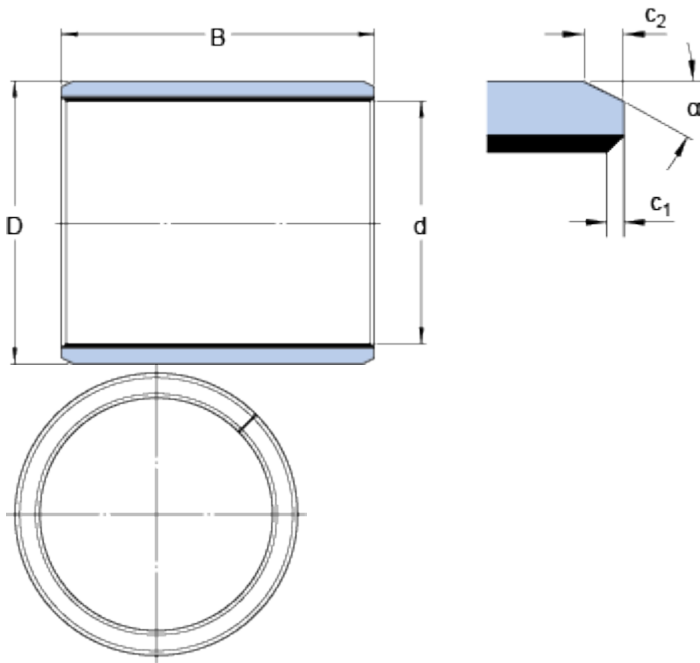


PCM 758080 E

Dimensions



d		75	mm
D		80	mm
B		80	mm
c ₁	min.	0.2	mm
c ₁	max.	1	mm
c ₂	min.	1.2	mm
c ₂	max.	2.4	mm
α	±8	20	°

Recommended fits

Tolerance shaft	f7
Tolerance housing	H7

Calculation data

Basic dynamic load rating - radial direction	C	475	kN
Basic static load rating - radial direction	C	1500	kN
Specific dynamic load factor	K	80	N/mm ²
Specific static load factor	K	250	N/mm ²
Factor depending on material and bearing type	K _M	480	
Permissible sliding velocity	v	min. 0	m/s
Permissible sliding velocity	v	max. 2	m/s
Coefficient of friction	μ	min. 0.03	
Coefficient of friction	μ	max. 0.25	

Mass

Mass bushing	0.37	kg
--------------	------	----