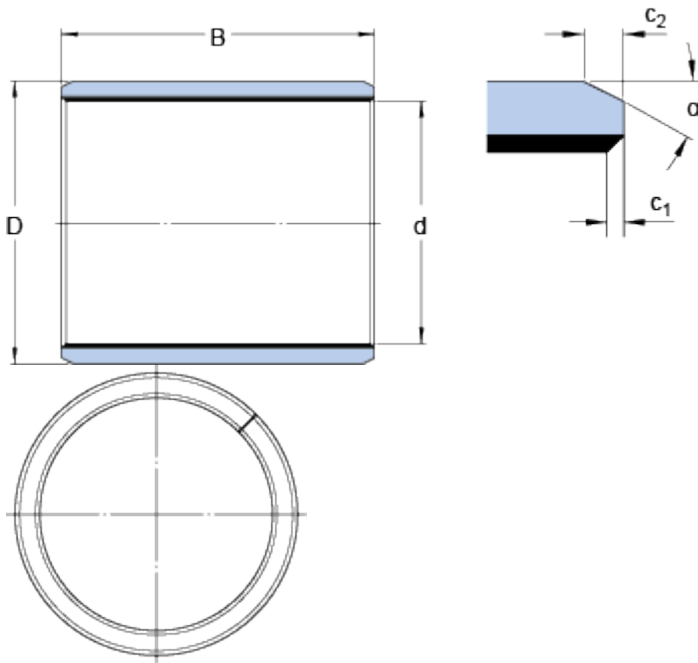


PCM 303425 E

Dimensions



d		30	mm
D		34	mm
B		25	mm
c ₁	min.	0.1	mm
c ₁	max.	0.7	mm
c ₂	min.	0.8	mm
c ₂	max.	1.6	mm
α	±8	20	°

Recommended fits

Tolerance shaft	f7
Tolerance housing	H7

Calculation data

Basic dynamic load rating - radial direction	C	58.5	kN
Basic static load rating - radial direction	C	180	kN
Specific dynamic load factor	K	80	N/mm ²
Specific static load factor	K	250	N/mm ²
Factor depending on material and bearing type	K _M	480	
Permissible sliding velocity	v min.	0	m/s
Permissible sliding velocity	v max.	2	m/s
Coefficient of friction	μ min.	0.03	
Coefficient of friction	μ max.	0.25	

Mass

Mass bushing	0.037	kg
--------------	-------	----