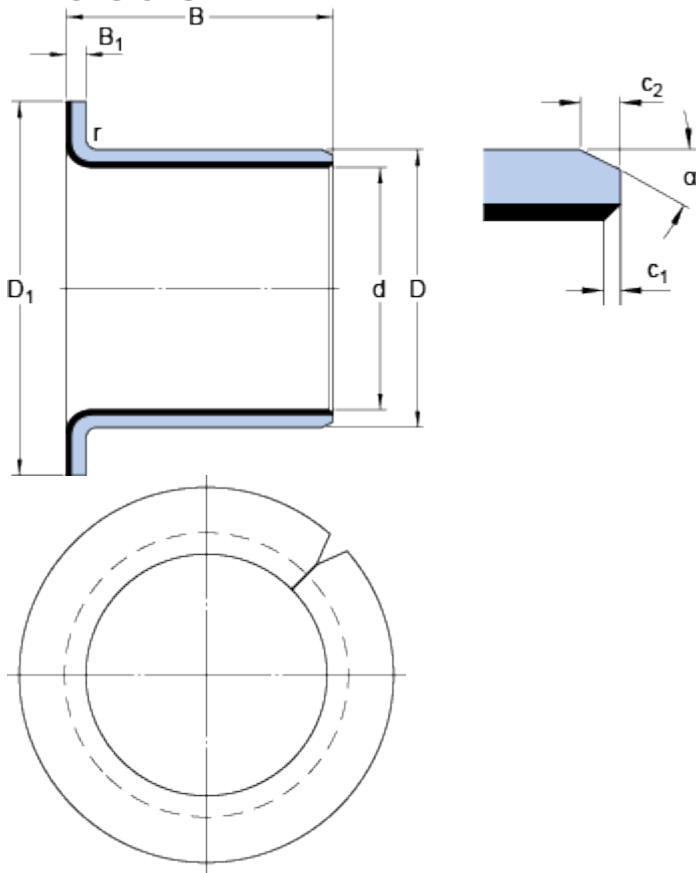


PCMF 121409 E

Dimensions



d		12	mm
D		14	mm
B		9	mm
D_1		20	mm
B_1		1	mm
c_1	min.	0.1	mm
c_1	max.	0.6	mm
c_2	min.	0.2	mm
c_2	max.	1	mm
α	± 8	20	$^\circ$
r	max.	1	mm

Recommended fits

Tolerance shaft	f7
Tolerance housing	H7

Calculation data

Basic dynamic load rating - radial direction	C	6.7	kN
Basic static load rating - radial direction	C	20.8	kN
Basic dynamic load rating - axial direction	C_a	9.15	kN
Basic static load rating - axial direction	C_{0a}	28.5	kN
Specific dynamic load factor	K	80	N/mm ²
Specific static load factor	K	250	N/mm ²
Factor depending on material and bearing type	K_M	480	
Permissible sliding velocity	v	min. 0	m/s
Permissible sliding velocity	v	max. 2	m/s
Coefficient of friction	μ	min. 0.03	
Coefficient of friction	μ	max. 0.25	

Mass

Mass bushing	0.0042	kg
--------------	--------	----

