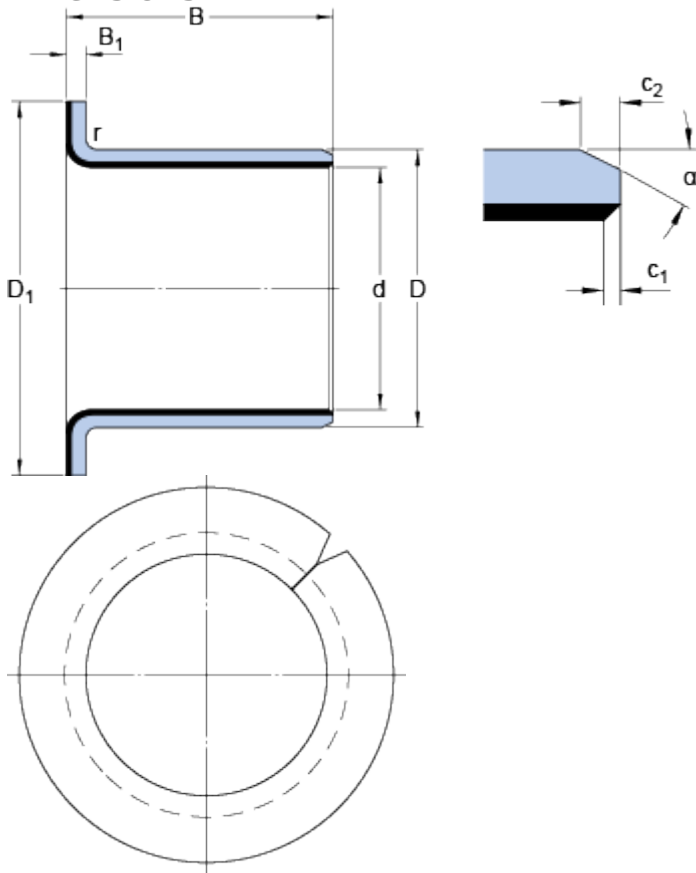


# PCMF 081005.5 E

## Dimensions



$d$		8	mm
$D$		10	mm
$B$		5.5	mm
$D_1$		15	mm
$B_1$		1	mm
$c_1$	min.	0.1	mm
$c_1$	max.	0.7	mm
$c_2$	min.	0.2	mm
$c_2$	max.	1	mm
$\alpha$	$\pm 8$	20	$^\circ$
$r$	max.	1	mm

## Recommended fits

Tolerance shaft	f7
Tolerance housing	H7

## Calculation data

Basic dynamic load rating - radial direction	C	2.24	kN
Basic static load rating - radial direction	C	6.95	kN
Basic dynamic load rating - axial direction	$C_a$	5.1	kN
Basic static load rating - axial direction	$C_{0a}$	16	kN
Specific dynamic load factor	K	80	N/mm <sup>2</sup>
Specific static load factor	K	250	N/mm <sup>2</sup>
Factor depending on material and bearing type	$K_M$	480	
Permissible sliding velocity	$v$ min.	0	m/s
Permissible sliding velocity	$v$ max.	2	m/s
Coefficient of friction	$\mu$ min.	0.03	
Coefficient of friction	$\mu$ max.	0.25	

## Mass

Mass bushing	0.0021	kg
--------------	--------	----

