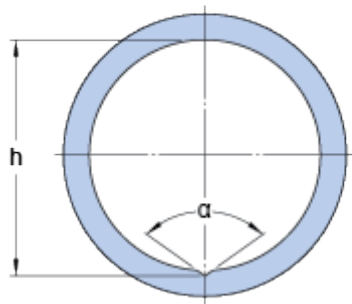
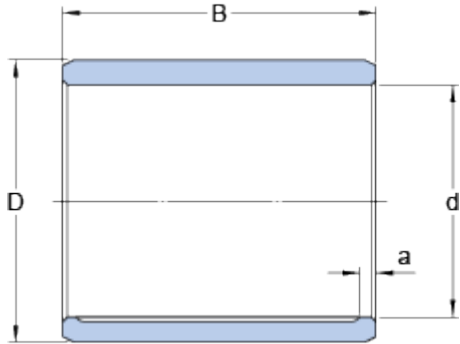


# PBM 253525 M1G1

## Dimensions



d	25	mm
D	35	mm
B	25	mm
a	3	mm
h	26	mm
$\alpha$	124	°

## Recommended fits

Tolerance shaft	e7
Tolerance housing	H7

## Calculation data

Specific dynamic load factor	K	25	N/mm <sup>2</sup>
Specific static load factor	K	45	N/mm <sup>2</sup>
Permissible sliding velocity	v	min.	0 m/s
Permissible sliding velocity	v	max.	0.5 m/s
Coefficient of friction	$\mu$	min.	0.08
Coefficient of friction	$\mu$	max.	0.15

## Mass

Mass bushing	0.1	kg
--------------	-----	----