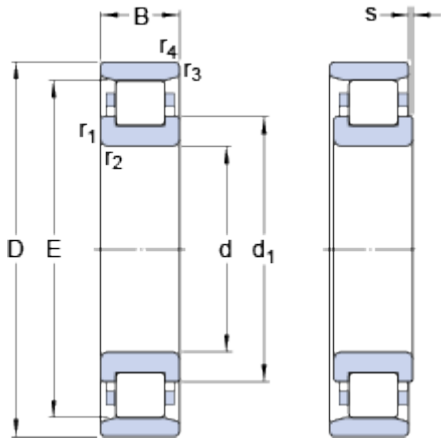


# N 213 ECP

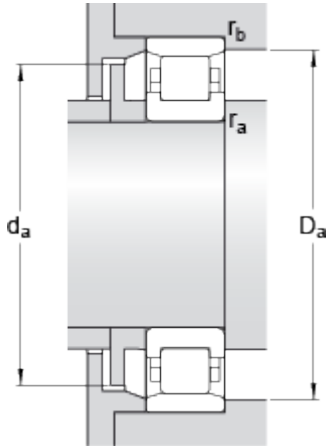
SKF Explorer

## Dimensions



d		65	mm
D		120	mm
B		23	mm
d <sub>1</sub>	≈	84.4	mm
E		108.5	mm
r <sub>1,2</sub>	min.	1.5	mm
r <sub>3,4</sub>	min.	1.5	mm
s	max.	1.4	mm

## Abutment dimensions



d <sub>a</sub>	min.	74	mm
d <sub>a</sub>	max.	106	mm
D <sub>a</sub>	min.	111	mm
D <sub>a</sub>	max.	112	mm
r <sub>a</sub>	max.	1.5	mm
r <sub>b</sub>	max.	1.5	mm

## Calculation data

Basic dynamic load rating	C	122	kN
Basic static load rating	C	118	kN
Fatigue load limit	P <sub>u</sub>	15.6	kN
Reference speed		6300	r/min
Limiting speed		6700	r/min
Calculation factor	k <sub>r</sub>	0.12	
Limiting value	e	0.2	
Axial load factor	Y	0.6	

## Mass

Mass bearing		1.03	kg
--------------	--	------	----