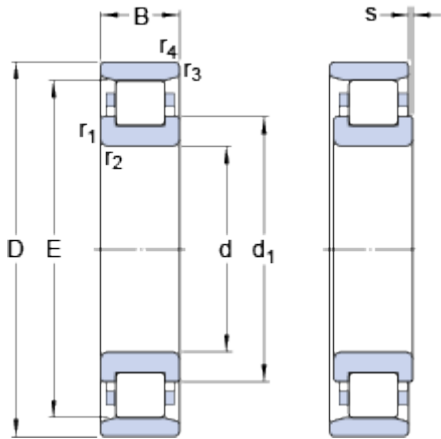


# N 211 ECP

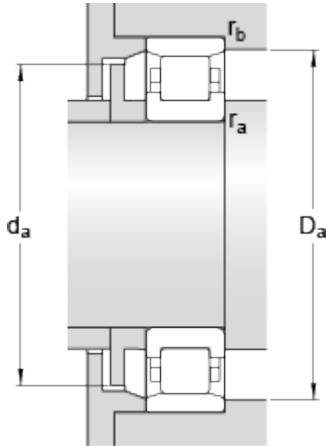
SKF Explorer

## Dimensions



d		55	mm
D		100	mm
B		21	mm
d <sub>1</sub>	≈	70.8	mm
E		90	mm
r <sub>1,2</sub>	min.	1.5	mm
r <sub>3,4</sub>	min.	1.1	mm
s	max.	1	mm

## Abutment dimensions



d <sub>a</sub>	min.	63	mm
d <sub>a</sub>	max.	88	mm
D <sub>a</sub>	min.	92	mm
D <sub>a</sub>	max.	93	mm
r <sub>a</sub>	max.	1.5	mm
r <sub>b</sub>	max.	1	mm

## Calculation data

Basic dynamic load rating	C	96.5	kN
Basic static load rating	C	95	kN
Fatigue load limit	P <sub>u</sub>	12.2	kN
Reference speed		7500	r/min
Limiting speed		8000	r/min
Calculation factor	k <sub>r</sub>	0.12	
Limiting value	e	0.2	
Axial load factor	Y	0.6	

## Mass

Mass bearing		0.65	kg
--------------	--	------	----