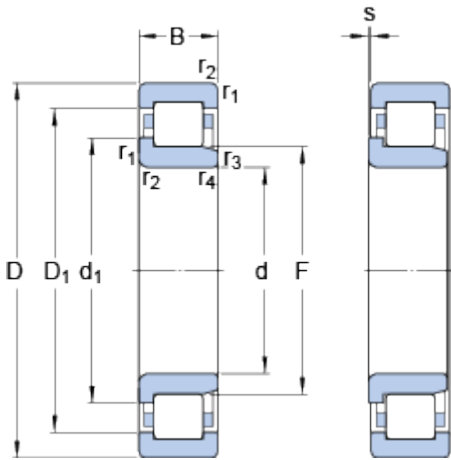


# NJ 2306 ECP

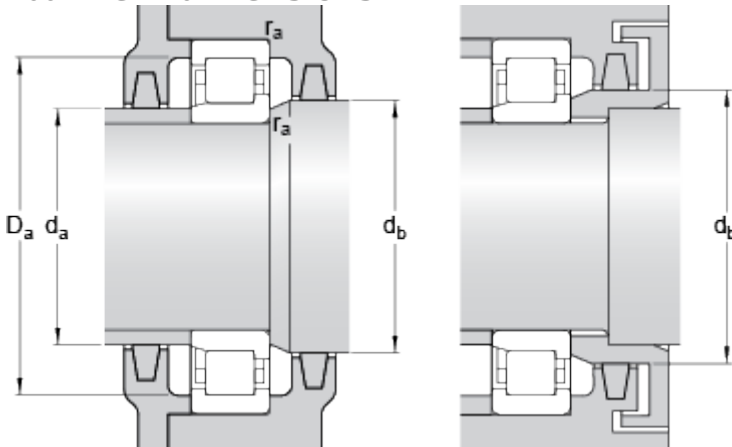
SKF Explorer

## Dimensions



d	30	mm
D	72	mm
B	27	mm
d <sub>1</sub>	≈ 45	mm
D <sub>1</sub>	≈ 58.35	mm
F	40.5	mm
r <sub>1,2</sub>	min. 1.1	mm
r <sub>3,4</sub>	min. 1.1	mm
s	max. 2.4	mm

## Abutment dimensions



d <sub>a</sub>	min. 37	mm
d <sub>a</sub>	max. 39	mm
d <sub>b</sub>	min. 47	mm
D <sub>a</sub>	max. 65.1	mm
r <sub>a</sub>	max. 1	mm

## Calculation data

Basic dynamic load rating	C	83	kN
Basic static load rating	C	75	kN
Fatigue load limit	P <sub>u</sub>	9.65	kN
Reference speed		11000	r/min
Limiting speed		12000	r/min
Calculation factor	k <sub>r</sub>	0.25	
Limiting value	e	0.3	
Axial load factor	Y	0.4	

## Mass

Mass bearing	0.54	kg
--------------	------	----