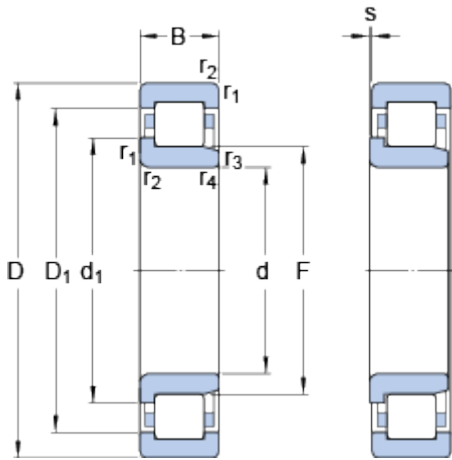


# NJ 2305 ECP

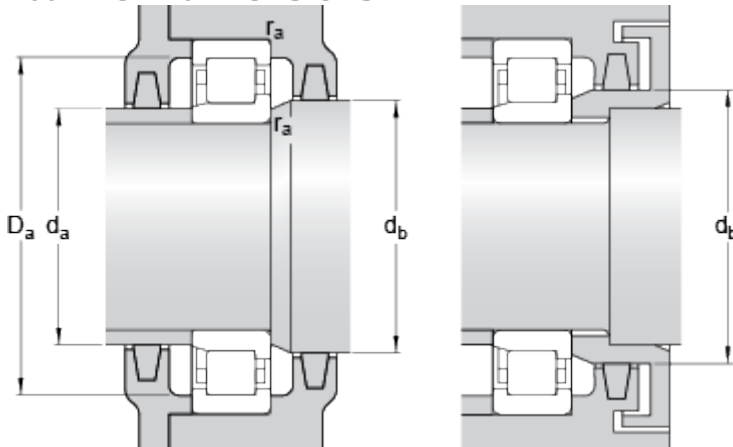
SKF Explorer

## Dimensions



d	25	mm
D	62	mm
B	24	mm
d <sub>1</sub>	≈ 38.1	mm
D <sub>1</sub>	≈ 50.15	mm
F	34	mm
r <sub>1,2</sub>	min. 1.1	mm
r <sub>3,4</sub>	min. 1.1	mm
s	max. 2.3	mm

## Abutment dimensions



d <sub>a</sub>	min. 31	mm
d <sub>a</sub>	max. 32.5	mm
d <sub>b</sub>	min. 40	mm
D <sub>a</sub>	max. 54.9	mm
r <sub>a</sub>	max. 1	mm

## Calculation data

Basic dynamic load rating	C	64	kN
Basic static load rating	C	55	kN
Fatigue load limit	P <sub>u</sub>	6.95	kN
Reference speed		12000	r/min
Limiting speed		15000	r/min
Calculation factor	k <sub>r</sub>	0.25	
Limiting value	e	0.3	
Axial load factor	Y	0.4	

## Mass

Mass bearing	0.35	kg
--------------	------	----

## Associated products

Angle ring	HJ 2305 EC
------------	------------

