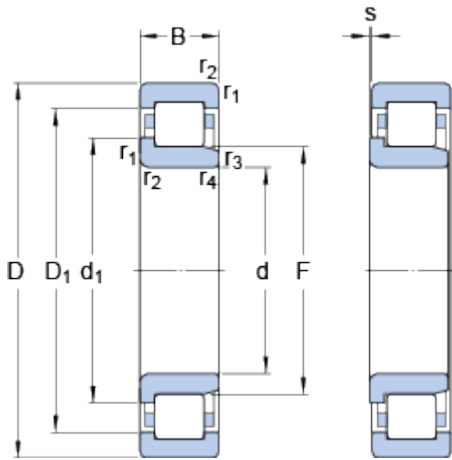


# NJ 2217 ECP

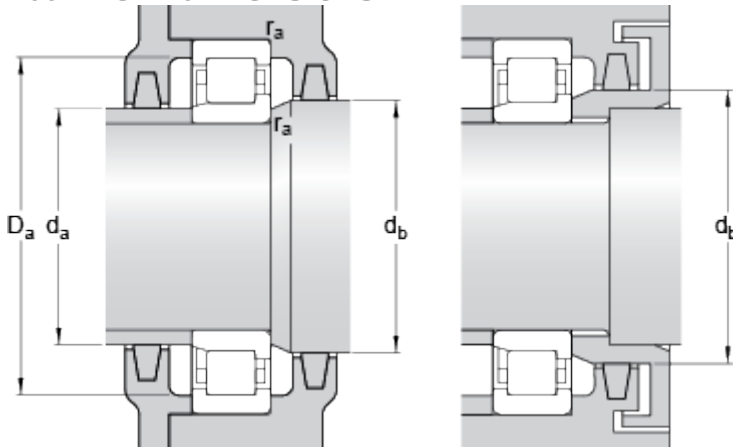
SKF Explorer

## Dimensions



d	85	mm
D	150	mm
B	36	mm
d <sub>1</sub>	≈ 107	mm
D <sub>1</sub>	≈ 130.3	mm
F	100.5	mm
r <sub>1,2</sub>	min. 2	mm
r <sub>3,4</sub>	min. 2	mm
s	max. 2	mm

## Abutment dimensions



d <sub>a</sub>	min. 96	mm
d <sub>a</sub>	max. 98	mm
d <sub>b</sub>	min. 110	mm
D <sub>a</sub>	max. 138.5	mm
r <sub>a</sub>	max. 2	mm

## Calculation data

Basic dynamic load rating	C	250	kN
Basic static load rating	C	280	kN
Fatigue load limit	P <sub>u</sub>	34.5	kN
Reference speed		4800	r/min
Limiting speed		5300	r/min
Calculation factor	k <sub>r</sub>	0.2	
Limiting value	e	0.3	
Axial load factor	Y	0.4	

## Mass

Mass bearing	2.53	kg
--------------	------	----