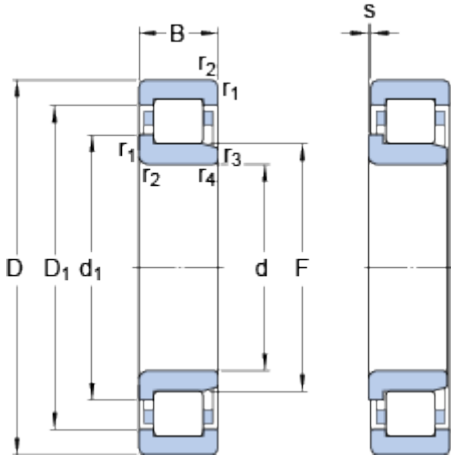


# NJ 212 ECJ

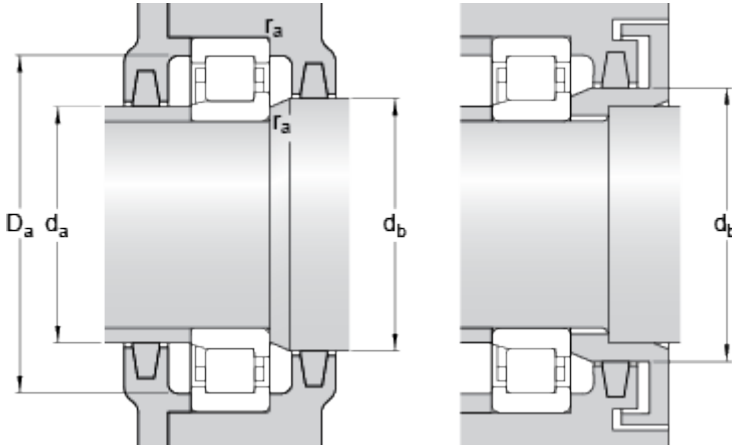
SKF Explorer

## Dimensions



d	60	mm
D	110	mm
B	22	mm
d <sub>1</sub>	≈ 77.5	mm
D <sub>1</sub>	≈ 95	mm
F	72	mm
r <sub>1,2</sub>	min. 1.5	mm
r <sub>3,4</sub>	min. 1.5	mm
s	max. 1.4	mm

## Abutment dimensions



d <sub>a</sub>	min. 68	mm
d <sub>a</sub>	max. 70	mm
d <sub>b</sub>	min. 80	mm
D <sub>a</sub>	max. 101	mm
r <sub>a</sub>	max. 1.5	mm

## Calculation data

Basic dynamic load rating	C	108	kN
Basic static load rating	C	102	kN
Fatigue load limit	P <sub>u</sub>	13.4	kN
Reference speed		6700	r/min
Limiting speed		7500	r/min
Calculation factor	k <sub>r</sub>	0.15	
Limiting value	e	0.2	
Axial load factor	Y	0.6	

## Mass

Mass bearing	0.85	kg
--------------	------	----

## Associated products

Angle ring	HJ 212 EC
------------	-----------

