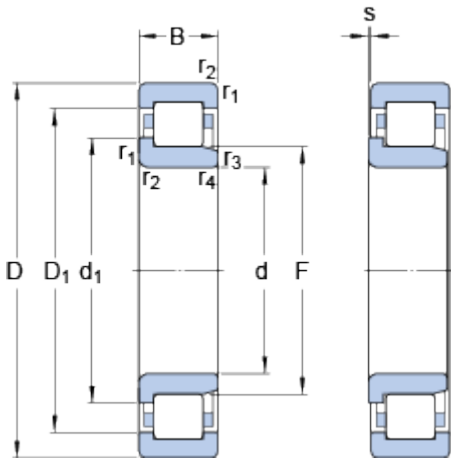


# NJ 204 ECP

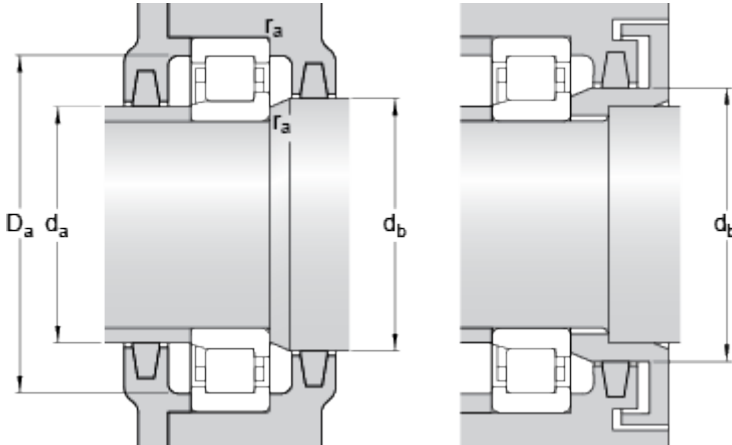
SKF Explorer

## Dimensions



d	20	mm
D	47	mm
B	14	mm
d <sub>1</sub>	≈ 29.7	mm
D <sub>1</sub>	≈ 38.44	mm
F	26.5	mm
r <sub>1,2</sub>	min. 1	mm
r <sub>3,4</sub>	min. 0.6	mm
s	max. 1	mm

## Abutment dimensions



d <sub>a</sub>	min. 25	mm
d <sub>a</sub>	max. 25.4	mm
d <sub>b</sub>	min. 31	mm
D <sub>a</sub>	max. 41.7	mm
r <sub>a</sub>	max. 1	mm

## Calculation data

Basic dynamic load rating	C	28.5	kN
Basic static load rating	C	22	kN
Fatigue load limit	P <sub>u</sub>	2.75	kN
Reference speed		17000	r/min
Limiting speed		19000	r/min
Calculation factor	k <sub>r</sub>	0.15	
Limiting value	e	0.2	
Axial load factor	Y	0.6	

## Mass

Mass bearing	0.11	kg
--------------	------	----