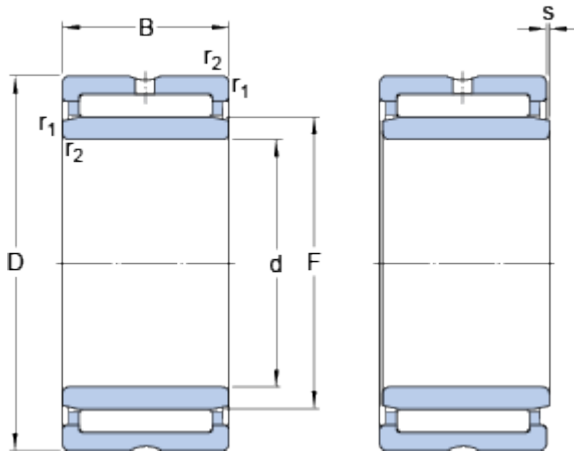


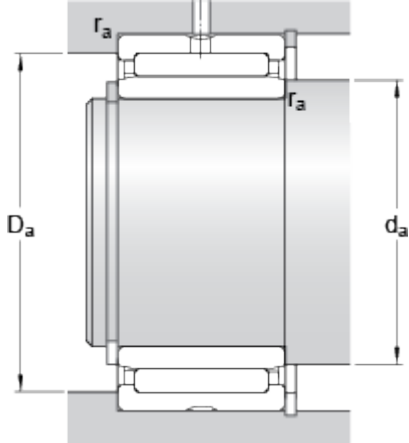
NA 4824

Dimensions



d		120	mm
D		150	mm
B		30	mm
F		130	mm
$r_{1,2}$	min.	1	mm
s	max.	0.8	mm

Abutment dimensions



d_a	min.	125	mm
D_a	max.	145	mm
r_a	max.	1	mm

Calculation data

Basic dynamic load rating	C	99	kN
Basic static load rating	C	255	kN
Fatigue load limit	P_u	29	kN
Reference speed		3200	r/min
Limiting speed		3600	r/min

Mass

Mass bearing		1.17	kg
--------------	--	------	----