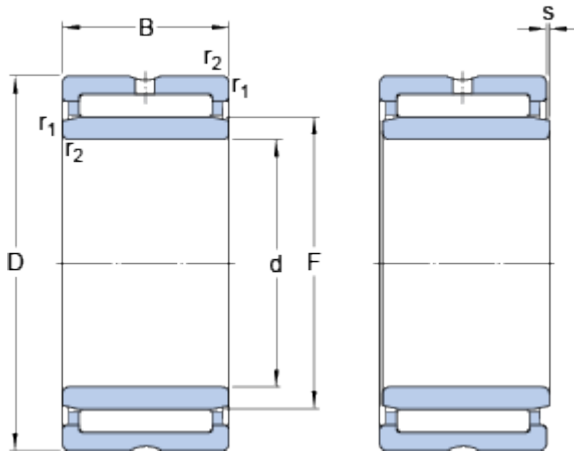


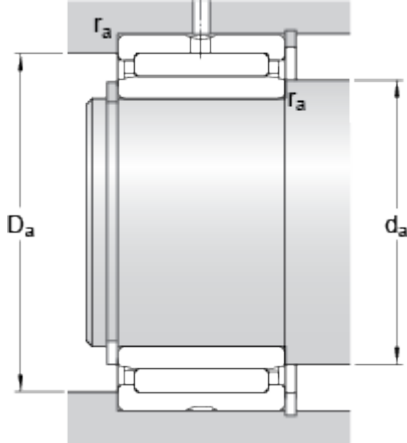
NA 4822

Dimensions



d		110	mm
D		140	mm
B		30	mm
F		120	mm
r _{1,2}	min.	1	mm
s	max.	0.8	mm

Abutment dimensions



d _a	min.	115	mm
D _a	max.	135	mm
r _a	max.	1	mm

Calculation data

Basic dynamic load rating	C	93.5	kN
Basic static load rating	C	232	kN
Fatigue load limit	P _u	27	kN
Reference speed		3400	r/min
Limiting speed		3800	r/min

Mass

Mass bearing		1.08	kg
--------------	--	------	----