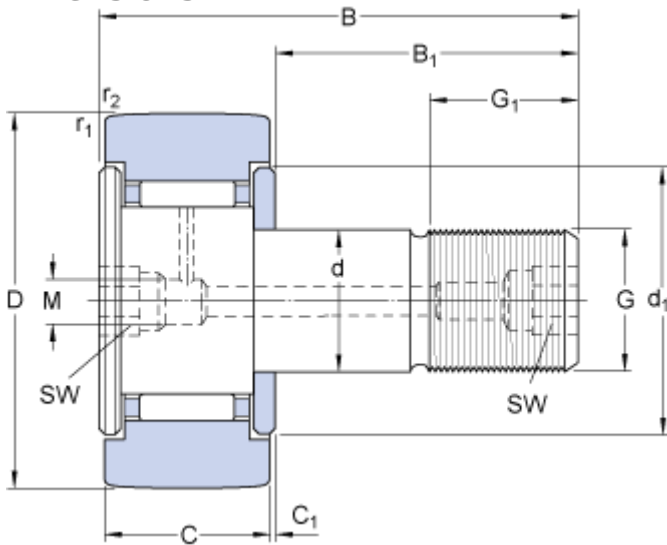


# KR 22 B

## Dimensions



D	22	mm
d	10	mm
B	36	mm
C	12	mm
B <sub>1</sub>	23	mm
C <sub>1</sub>	0.6	mm
d <sub>1</sub>	17.5	mm
G	M 10x1	
G <sub>1</sub>	12	mm
M	4	mm
SW	5	mm
r <sub>1,2</sub>	min. 0.3	mm

## Calculation data

Basic dynamic load rating	C	4.4	kN
Basic static load rating	C	5	kN
Fatigue load limit	P <sub>u</sub>	0.56	kN
Maximum dynamic radial loads	F <sub>r</sub>	max. 4.25	kN
Maximum static radial loads	F <sub>or</sub>	max. 6	kN
Limiting speed		5300	r/min

## Mass

Mass cam follower	0.045	kg
-------------------	-------	----

## Mounting information

Recommended tightening torque	15	N·m
-------------------------------	----	-----

## Included products

Grease fitting	NIP A1x4.5
Hexagonal nut	M 10x1