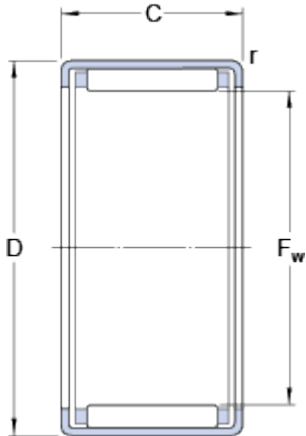


HK 5520

Dimensions



F _w	55	mm
D	63	mm
C	20	mm
r	min. 0.8	mm

Calculation data

Basic dynamic load rating	C	30.3	kN
Basic static load rating	C	67	kN
Fatigue load limit	P _u	8.3	kN
Reference speed		4500	r/min
Limiting speed		5000	r/min

Mass

Mass bearing		0.074	kg
Designation		HK 5520	

Associated products

Inner ring LR series		LR 50x55x20.5
Radial shaft seal with a low cross-sectional height, single lip		G 55x63x5