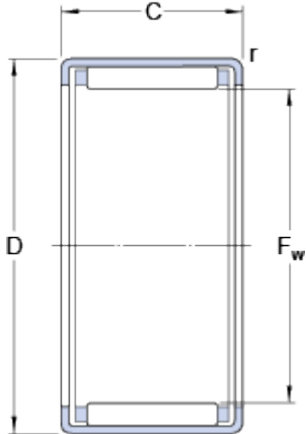


HK 3512

Dimensions



F_w	35	mm
D	42	mm
C	12	mm
r	min. 0.8	mm

Calculation data

Basic dynamic load rating	C	12.5	kN
Basic static load rating	C	21.6	kN
Fatigue load limit	P_u	2.45	kN
Reference speed		7000	r/min
Limiting speed		8000	r/min

Mass

Mass bearing		0.027	kg
Designation		HK 3512	

Associated products

Inner ring LR series		LR 30x35x12.5
Radial shaft seal with a low cross-sectional height, single lip		G 35x42x4
Radial shaft seal with a low cross-sectional height, double lip		SD 35x42x4